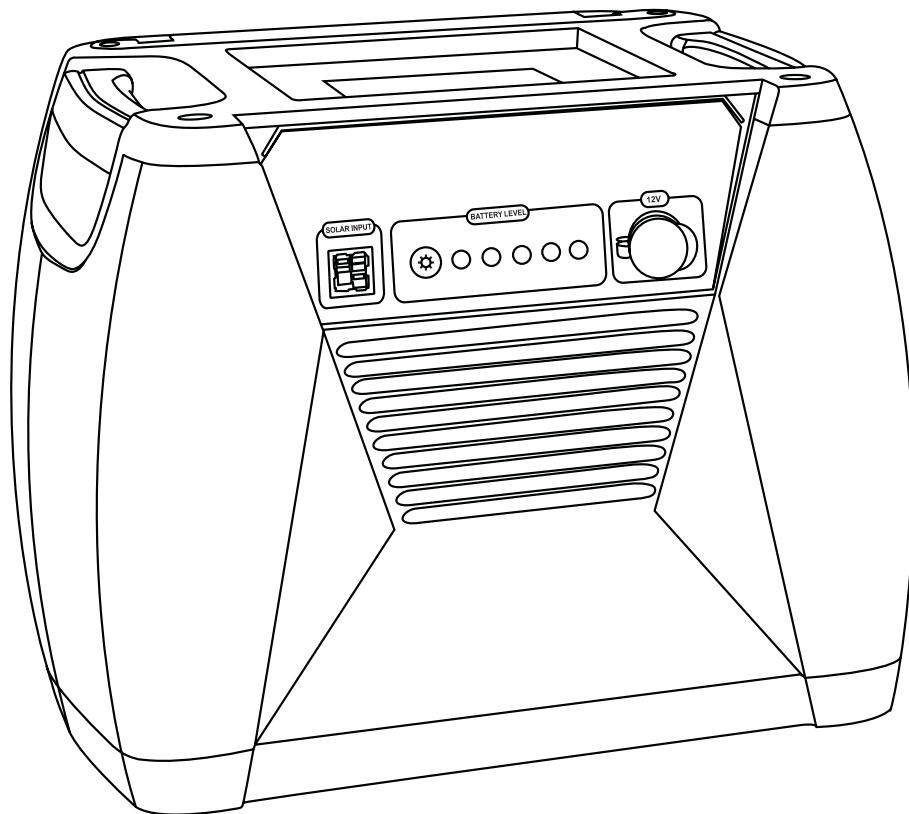


Nature's Generator Power Pod User Manual



Nature's Generator Power Pod

Contents

1.0 Important Safety Instructions	1
1.1 Safety Instructions	1
1.2 General Requirements	1
1.3 Warning	2
1.4 Caution	2
1.5 Battery Safety	3
1.6 Maintenance Instructions	4
1.7 Storage Instruction	4
1.8 INSTRUCTIONS PERTAINING TO RISK OF FIRE, ELECTRIC SHOCK, OR INJURY TO PERSONS	5
1.9 WARNING: GROUNDING INSTRUCTIONS	5
2.0 Introduction	6
2.1 Unpacking Your Nature's Generator Power Pod	6
2.2 Get to Know Your Nature's Generator Power Pod	7
3.0 Use Your Nature's Generator Power Pod	9
3.1 How to Recharge Your Nature's Generator Power Pod	9
3.2 How to Install Your Nature's Generator Power Pod on Top of Nature's Generator	10
3.3 How to Connect Your Nature's Generator Power Pod to Nature's Generator	17
3.4 How to Maintain and Store Your Nature's Generator Power Pod	17
4.0 Troubleshooting	17
5.0 Technical Specifications	18
6.0 Notice	18
7.0 WARRANTY & RETURNS	19
ESPAÑOL	22

1.0 Important Safety Instructions

1.1 Safety Instructions

1.1.1 Read these instructions.

1.1.2 Keep this user manual in a safe and accessible place.

1.1.3 Take note of all warnings to avoid injury or damage.

1.1.4 Follow all instructions.

1.1.5 The safety instructions provided herein are for illustrative purposes that include but are not limited to those listed in this manual. Actual operation shall comply with all applicable safety standards.

1.1.6 Always operate or store the equipment in the conditions specified in this manual. The installation and ambient conditions must comply with the regulations in the relevant national and local standards.

1.1.7 Avoid unauthorized disassembly, equipment replacement, or modification of software codes.

1.1.8 Nature's Generator shall not be liable for the equipment damages, personal injury, property loss or other damages resulting from the following circumstances:

- Force majeure events such as earthquakes, fires, storms, floods, or mudslides.
- Damages caused by improper handling and installation.
- Damages resulting from inadequate storage conditions as specified in the manual.
- Hardware or data damage caused by customer negligence, improper operation, or intentional actions.
- System damage caused by third parties or customers.
- Adjustments, changes, or removal of labels in violation of this manual.

1.1.9 This product is not intended for use with devices that have high-performance requirements for UPS (Uninterruptible Power Supply), including but not limited to data servers, workstations, medical equipment, and similar devices.

1.2 General Requirements

1.2.1 Do not install, use or maintain this equipment near water.

1.2.2 Do not install, use and maintain this equipment in adverse weather conditions such as lightning, rain, storm, snow and earthquake.

1.2.3 Keep this equipment away from heat sources or high temperatures or direct sunlight.

1.2.4 Do not insert foreign objects into or block any ventilation openings.

1.2.5 Always turn off the power source before starting any electrical work.

1.2.6 Allow a minimum 20 inch clearance from all sides of the equipment for proper air ventilation to dissipate heat.

1.2.7 Do not use near flammable gases or fumes or other equipment that produce a large amount of heat.

1.2.8 Do not store this equipment with flammable or explosive materials.

1.2.9 Do not place the equipment on an unstable or inclined surface.

1.2.10 Use the equipment for its intended purpose and avoid stacking objects on top of it during storage or use.

1.2.11 Keep the system out of the reach of children and pets.

1.2.12 Only use attachments/accessories approved by the manufacturer.

1.2.13 Regularly inspect the equipment and its accessories for damage or deterioration.

1.2.14 Refer all servicing to qualified service personnel. Servicing is required when the equipment has been damaged in any way, such as power-supply cord or plug is damaged, liquid has been spilled or objects have fallen into the equipment, the equipment has been exposed to rain or moisture, has been dropped or does not operate normally.

1.2.15 The equipment should not be exposed to dripping or splashing, and no objects filled with liquids, such as drinking glasses or vases, should be placed on the equipment.

1.2.16 The transportation, wiring, installation and maintenance shall comply with all applicable laws, regulations and standards.

1.2.17 Do not make changes or modifications to the equipment's structure, installation sequence, etc.

1.2.18 Position the system on the flat surface and firmly secure it to a wall or other solid objects.

1.2.19 After installing the equipment, remove the idle package materials from the site such as cartons, foam, plastic, nylon ties, etc.

1.3 Warning

1.3.1 Electric Shock Hazard

Keep away from children. Avoid working with live electrical components. To reduce the risk of fire or electric shock, do not remove any cover or expose the device to rain or moisture. Do not insert foreign objects into the AC outlets or the ventilation holes.

1.3.2 Explosion Hazard

Do not burn or incinerate this item. This item may explode, causing property damage or personal injury. Do not use near flammable gases or fumes or other equipment that produces large amounts of heat. Allow a minimum 20 inch clearance from all sides of the equipment for proper air ventilation to dissipate heat.

1.3.3 Lightning Hazard

For added protection for your device during a lightning storm, unplug it from the power outlet and disconnect the cables. This helps to prevent property damage and personal injury from lightning and power line surges.

1.3.4 Energy and Burn Hazard

Nature's Generator Power Pod has lead acid batteries, which can present a risk of burn or fire hazard from high current because of short-circuit.

1.3.5 Replacement Parts

When replacement parts are required, make sure that the service technician uses replacement parts specified by the manufacturer that have the same characteristics as the original part. Unauthorized substitutions may result in fire, electric shock, personal injury, or other hazards.

1.4 Caution

1.4.1 Damage Requiring Service

Stop using the Nature's Generator Power Pod and refer servicing to qualified service personnel under the following conditions:

- If liquid has been spilled or objects have fallen into your Nature's Generator Power Pod.
- If your Nature's Generator Power Pod has been exposed to rain or water.
- If your Nature's Generator Power Pod has been dropped or damaged in any way.
- When your Nature's Generator Power Pod exhibits a distinct change in performance.

1.4.2 Cold Weather

Cold temperatures can impact Nature's Generator Power Pod performance. If you are in area that will be consistently below freezing, we recommend keeping your Nature's Generator Power Pod in an insulated location.

1.4.3 Recycling and Disposal

Your Nature's Generator Power Pod may contain materials that are regulated for environmental reasons. Your Nature's Generator Power Pod also contains materials that can be recycled and reused. To help protect the environment, contact your local authorities for information about disposal or recycling and about finding a recycler in your area before you dispose of your Nature's Generator Power Pod.

1.4.4 Safety Check

After completing any service or repair to this device, ask the service technician to perform routine safety checks to determine that your Nature's Generator Power Pod is in correct operating condition.

1.4.5 Servicing

The servicing instructions are for use by qualified service personnel only. To reduce the risk of electric shock, do not perform any servicing other than that contained in the operating instructions unless you are qualified to do so.

1.4.6 Metal Tools

Be very cautious when working with metal tools on or around Nature's Generator Power Pod. A potential risk exists of dropping a tool that sparks or short circuits batteries or other electrical parts which could cause an explosion.

1.5 Battery Safety

1.5.1 Connect the terminals and ports securely and conduct regular checks.

1.5.2 Prevent the positive and negative terminals of the battery from touching each other or any metal objects to avoid heat generation or electrolyte leakage.

1.5.3 Do not short-circuit the battery terminals. A short circuit can cause a fire.

1.5.4 Do not expose the battery to high temperatures or around heat sources, such as sunlight, fire, transformers, welding machines, grinding machines or heaters.

1.5.5 Do not disassemble, modify or damage the battery to avoid leakage, overheating or fire.

1.5.6 Never use damaged batteries or components. Improper use of damaged batteries or components can damage your device or injure yourself as a result of battery fluid leakage, fire, overheating or explosion.

1.5.7 Do not turn the battery upside down or tilt it.

1.5.8 Safely and carefully dispose of used batteries by the provisions of local laws and regulations. Avoid treating batteries as regular household waste, as improper disposal can lead to environmental pollution.

1.5.9 If you find a leaking or damaged battery pack, contact an authorized battery recycling company for expert assistance.

1.5.10 Avoid contact with spilled liquid or gas if the battery leaks chemicals or odors. Do not approach the battery and contact a professional for disposal.

1.5.11 If you inhale vapors of the battery electrolyte, get fresh air immediately and seek medical attention.

1.5.12 If you have eye contact with the battery electrolyte, wash the eyes with water for at least 15 minutes and seek medical attention.

1.5.13 If you have skin contact with the battery electrolyte, wash the infected area with soap and water for at least 15 minutes and seek medical attention.

1.5.14 If you ingest the battery electrolyte, seek medical attention immediately.

1.5.15 Nature's Generator Power Pod shall not be liable for the equipment damages, personal injury, property loss or other damages caused by the following reasons:

- Failure to charge the battery after installation leading to battery over-discharge.
- Inadequate maintenance, improper capacity expansion or prolonged periods of incomplete charging and frequent over-discharging of the battery.
- Failure to charge the battery as required during storage, resulting in capacity loss or irreparable damage.
- Improper operation or connection errors causing battery short-circuits, damage, drops or leaks.
- Battery damage caused by operating conditions or external power parameters that do not meet environmental requirements.
- Users or third parties using the battery in ways not specified in the user manual.

1.6 Maintenance Instructions

1.6.1 Disconnect all the cables and turn off the equipment and wait at least 10 minutes after the equipment is completely off.

1.6.2 Wear personal protective equipment (PPE) during maintenance to avoid damage or electric shock.

1.6.3 Use tools correctly to avoid injury or damage to equipment.

1.6.4 Do not touch energized equipment.

1.6.5 Do not clean the electrical components inside and outside the cabinet with water.

1.6.6 Do not stand, lean on or sit on top of the equipment.

1.6.7 Be careful of high temperatures.

1.6.8 Do not disassemble or damage the battery. The released electrolyte is harmful to your skin and eyes. Avoid contact with electrolyte.

1.6.9 Avoid metal objects such as rings or metal tools to touch the battery.

1.7 Storage Instruction

1.7.1 When not using Nature's Generator Power Pod for extended periods of time, turn off the power and remove all electrical connections.

1.7.2 Charge the system to 40%-60% SoC before storage.

1.7.3 In order to keep the battery healthy, fully charge and discharge the system every 4 months.

1.7.4 Make sure the place where to store the system is well ventilated and spacious.

1.7.5 Do not store the system in flammable or explosive environments.

1.7.6 Keep the system out of the reach of children and pets.

1.7.7 Do not stack anything on top of the equipment during storage.

1.7.8 Avoid exposing the equipment to rain, humidity or direct sunlight.

1.7.9 Store the product in the conditions described in this manual.

1.8 INSTRUCTIONS PERTAINING TO RISK OF FIRE, ELECTRIC SHOCK, OR INJURY TO PERSONS

IMPORTANT SAFETY INSTRUCTIONS

1.8.1 WARNING – When using this product, basic precautions should always be followed, including the following:

- a. Read all the instructions before using the product.
- b. To reduce the risk of injury, close supervision is necessary when the product is used near children.
- c. Do not put fingers or hands into the product.
- d. Use of an attachment not recommended or sold by power pack manufacturer may result in a risk of fire, electric shock or injury to persons.
- e. To reduce risk of damage to the electric plug and cord, pull the plug rather than the cord when disconnecting the power pack.
- f. Do not use a battery pack or appliance that is damaged or modified. Damaged or modified batteries may exhibit unpredictable behavior resulting in fire, explosion or risk of injury.
- g. Do not operate the power pack with a damaged cord or plug, or a damaged output cable.
- h. Do not disassemble the power pack, take it to a qualified service person when service or repair is required. Incorrect reassembly may result in a risk of fire or electric shock.
- i. To reduce the risk of electric shock, unplug the power pack from the outlet before attempting any instructed servicing.
- j. When charging the internal battery, work in a well ventilated area and do not restrict ventilation in any way.
- k. Do not expose a power pack to fire or excessive temperature. Exposure to fire or temperature above 130°C (265°F) may cause explosion.
- l. Have servicing performed by a qualified repair person using only identical replacement parts. This will ensure that the safety of the product is maintained.

SAVE THESE INSTRUCTIONS

1.9 WARNING: GROUNDING INSTRUCTIONS

1.9.1 When the local codes require, this product must be grounded. If it should malfunction or breakdown, grounding provides a path of least resistance for electric current to reduce the risk of electric shock. This product is equipped with a cord having an equipment grounding conductor and a grounding plug. The plug must be plugged into an outlet that is properly installed and grounded in accordance with all local codes ordinances.

1.9.2 WARNING – Improper connection of the equipment grounding conductor is able to result in a risk of electric shock. Check with a qualified electrician if you are in doubt as to whether the product is properly grounded. Do not modify the plug provided with the product – if it will not fit the outlet, have a proper outlet installed by a qualified electrician.

2.0 Introduction

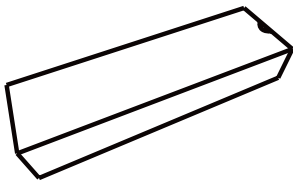
Congratulations on your new Nature's Generator Power Pod, a great expansion to your Nature's Generator.

2.1 Unpacking Your Nature's Generator Power Pod

2.1.1 Nature's Generator Power Pod



2.1.2 Accessory Box

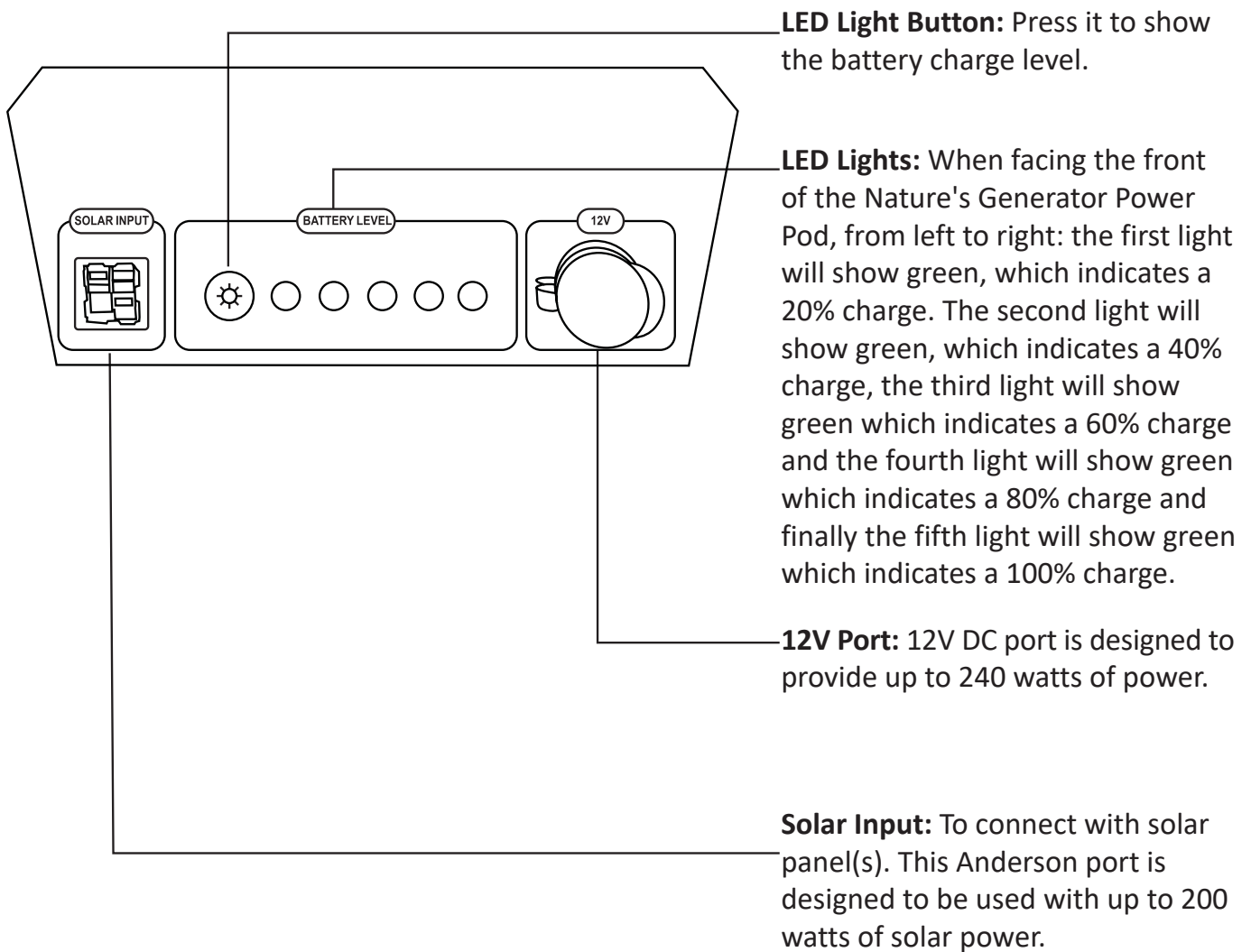


2.1.3 This User Guide

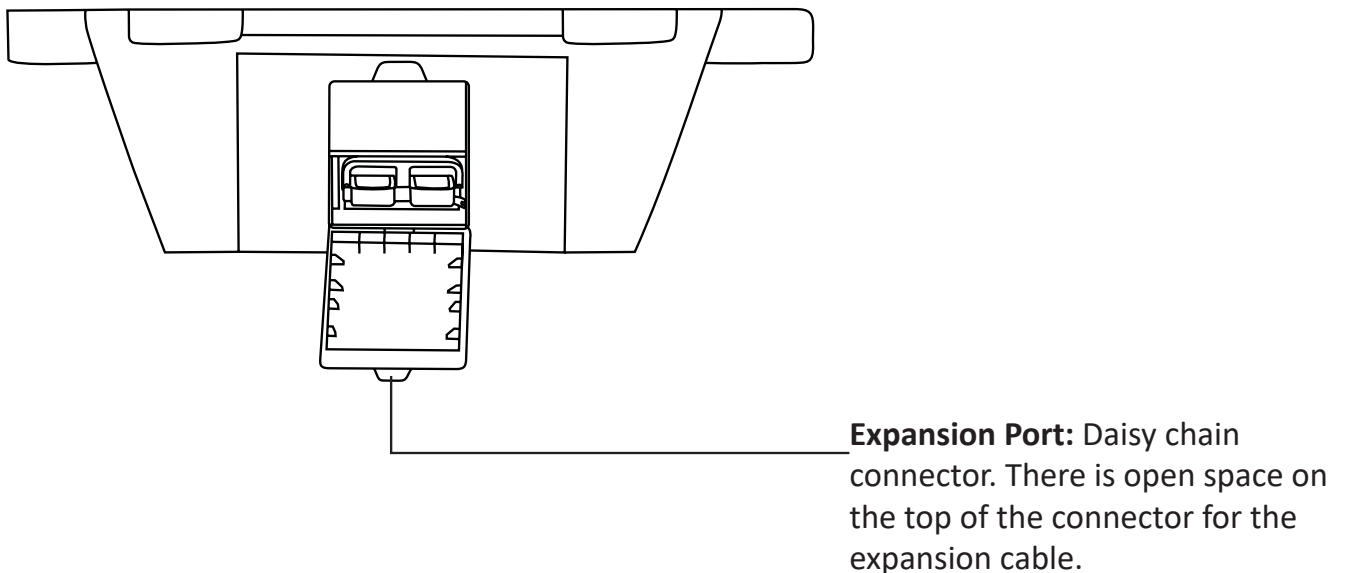


2.2 Get to Know Your Nature's Generator Power Pod

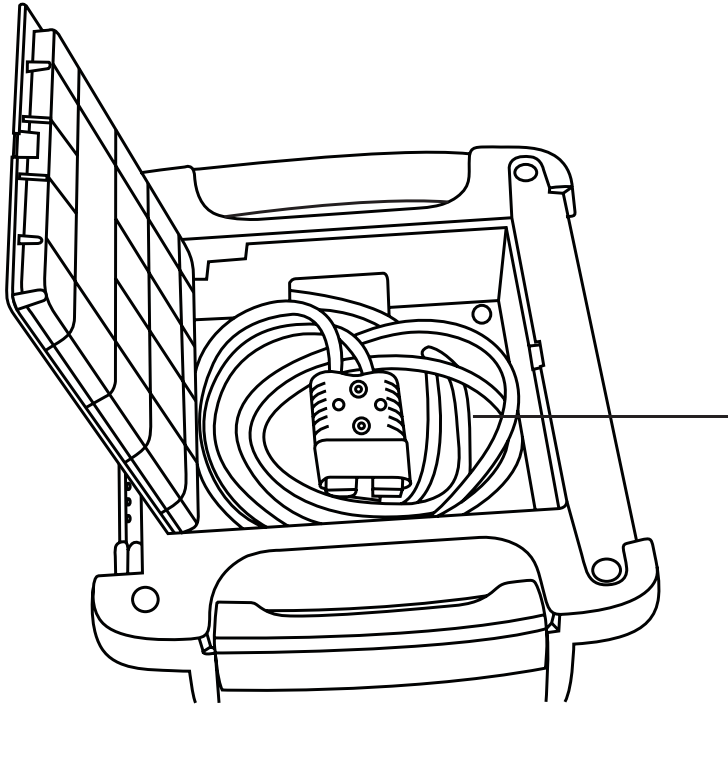
2.2.1 Front Panel



2.2.2 Back Panel



2.2.3 Top Compartment



Expansion cable: 35 inch long expansion cable.

3.0 Use Your Nature's Generator Power Pod

3.1 How to Recharge Your Nature's Generator Power Pod

3.1.1 Recharging from Solar Panels

- a. Place your solar panel where it will get as much direct sunlight as possible. While direct sunlight is always preferred, solar panels should be connected at all times to provide a consistent trickle charge to your battery. Solar panels will also send a charge your unit while in hazy or overcast skies.
- b. Insert solar panel plug into Solar Input port on the front of Nature's Generator Power Pod. You will know it is recharging when LED lights start running. The LED lights remain solid when the battery is full or there is not enough power from solar panel.
- c. It takes about 15 to 20 hours to recharge Nature's Generator Power Pod if using 100 watt solar panel, and also depends on the the strength of the sunlight.
- d. To increase the recharging speed, you can daisy chain multiple solar panels in parallel connection. The Solar Input port can handle up to 200 watt solar panel. Visit Naturesgenerator.com for information on purchasing additional solar panels.

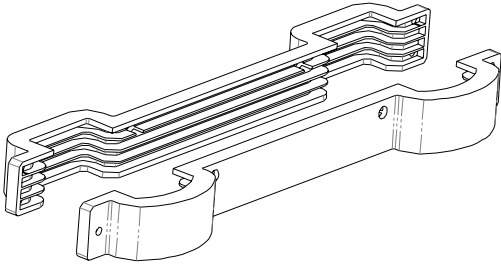
3.1.2 Recharging from Nature's Generator

- a. Connect Nature's Generator Power Pod to Nature's Generator (not included in the box) by the expansion cable.
- b. When Nature's Generator is being recharged by solar, wind or wall, Nature's Generator Power Pod will be recharged at the same time.
- c. The LED lights do not run while Nature's Generator Power Pod is recharged from Nature's Generator, but you can press the LED Light Button to check battery level.

3.2 How to Install Your Nature's Generator Power Pod on Top of Nature's Generator

3.2.1 What is in the accessory box

a. Brackets



b. Bolts and nuts

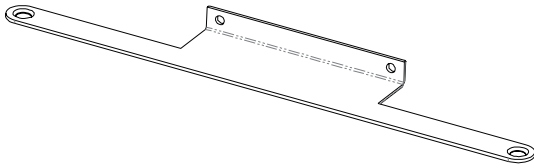


A: 16mm x 2pcs

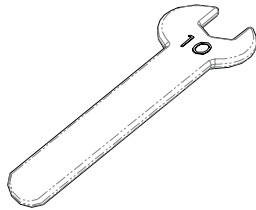
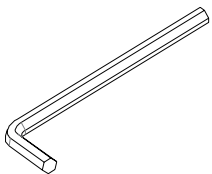


B: 25mm x 2pcs

c. Power Pod Bar

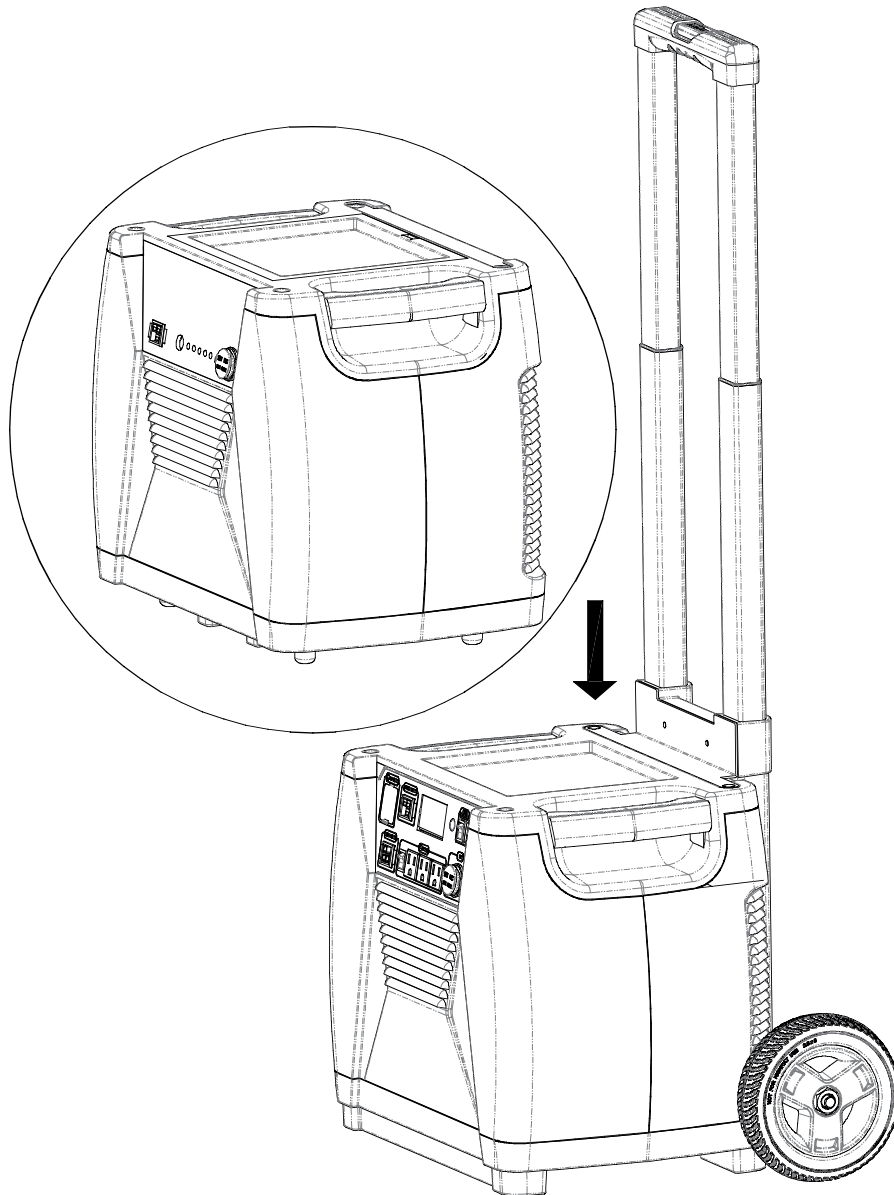


d. Tools

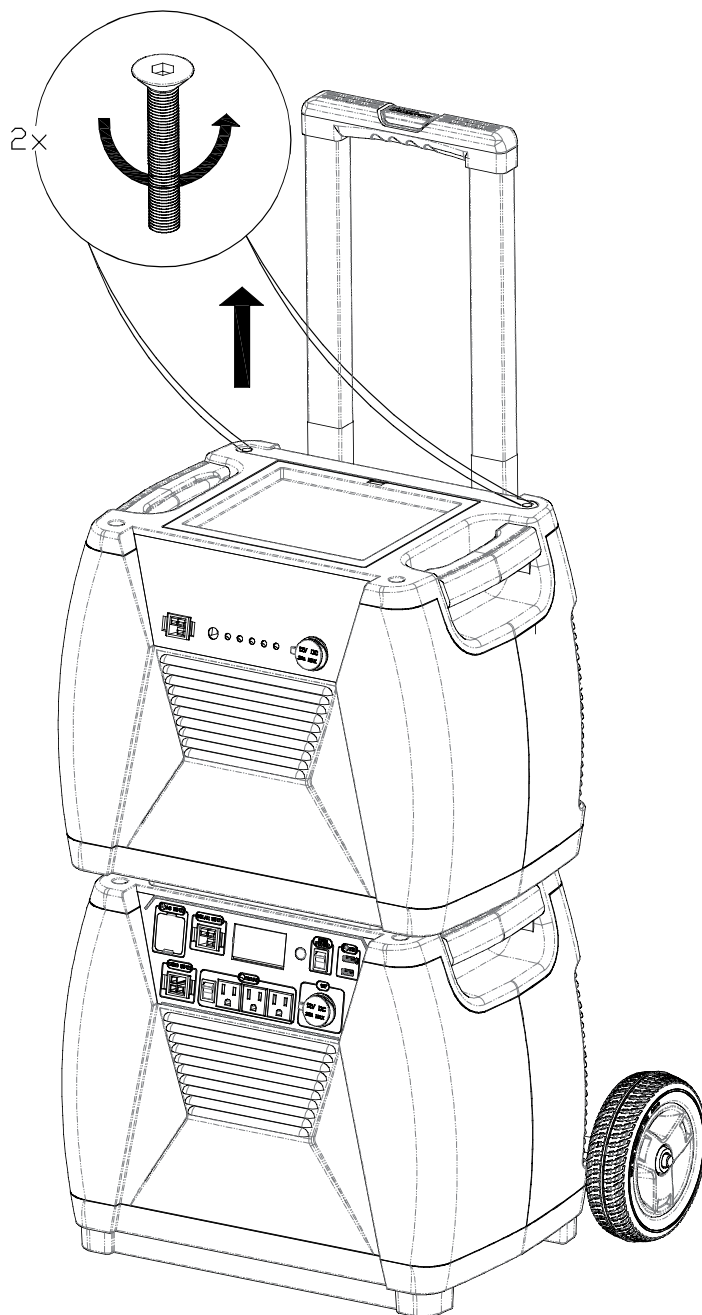


3.2.2 Installing Procedures

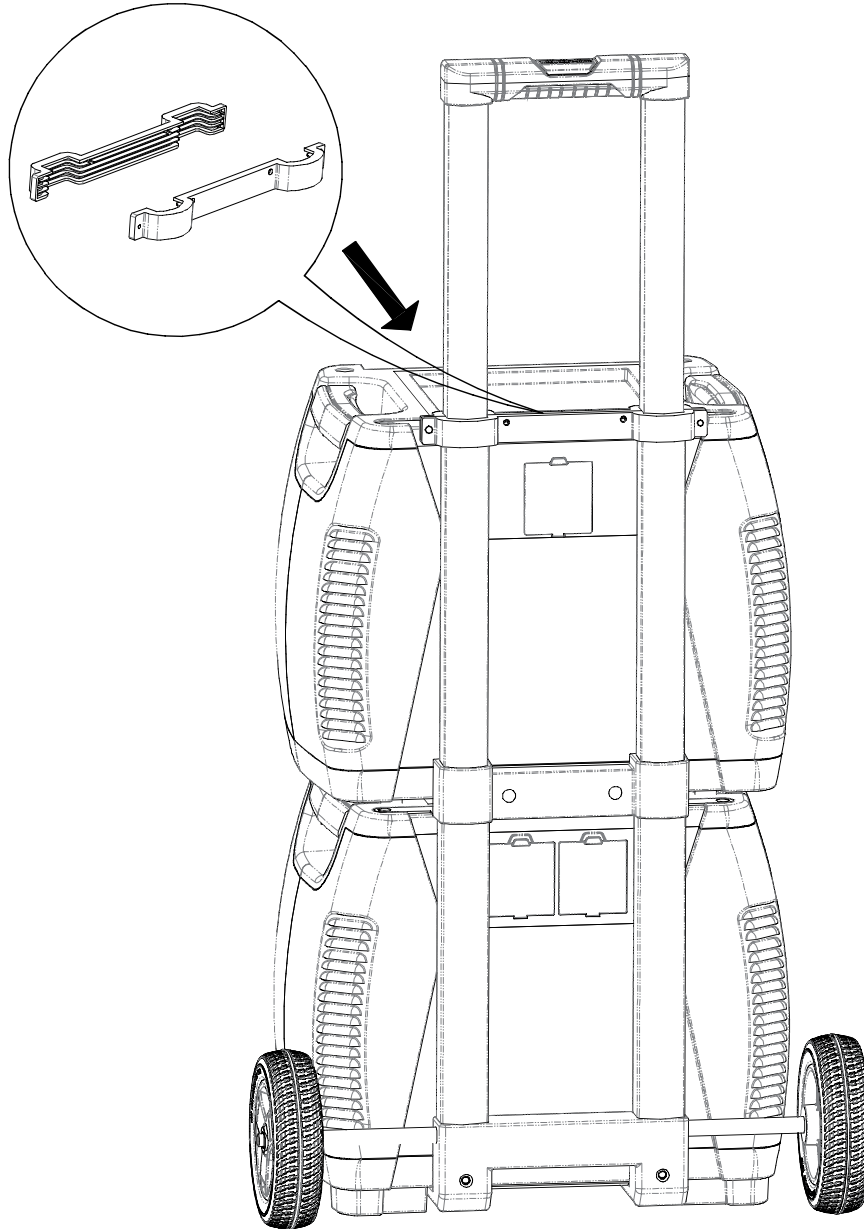
Step 1: Lift Nature's Generator Power Pod and set it on top of Nature's Generator. Make sure the feet of Nature's Generator Power Pod sit between the handle and top case of Nature's Generator.



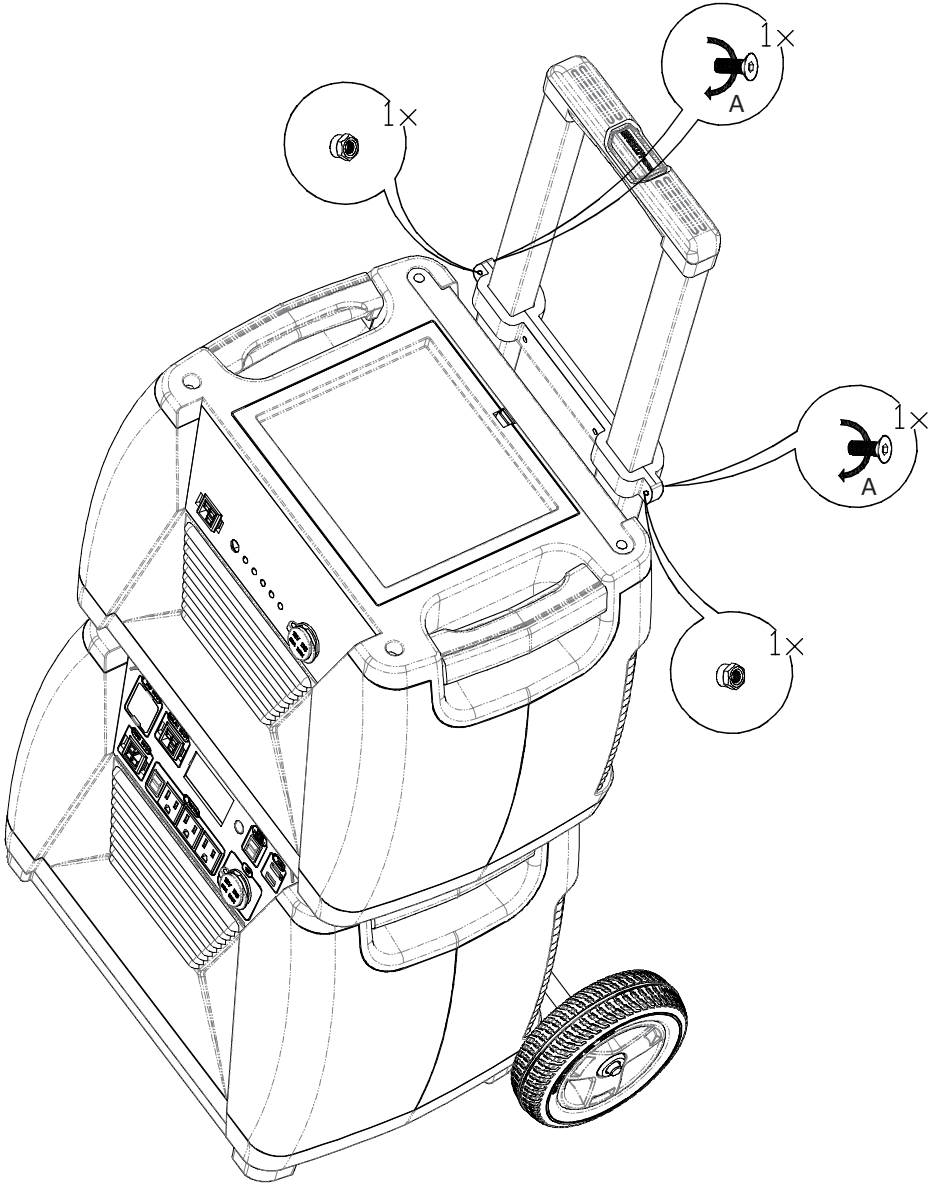
Step 2: Remove two bolts from Nature's Generator Power Pod with included the Allen wrench. Put these two bolts aside for now as they will be reused in step 5 below.



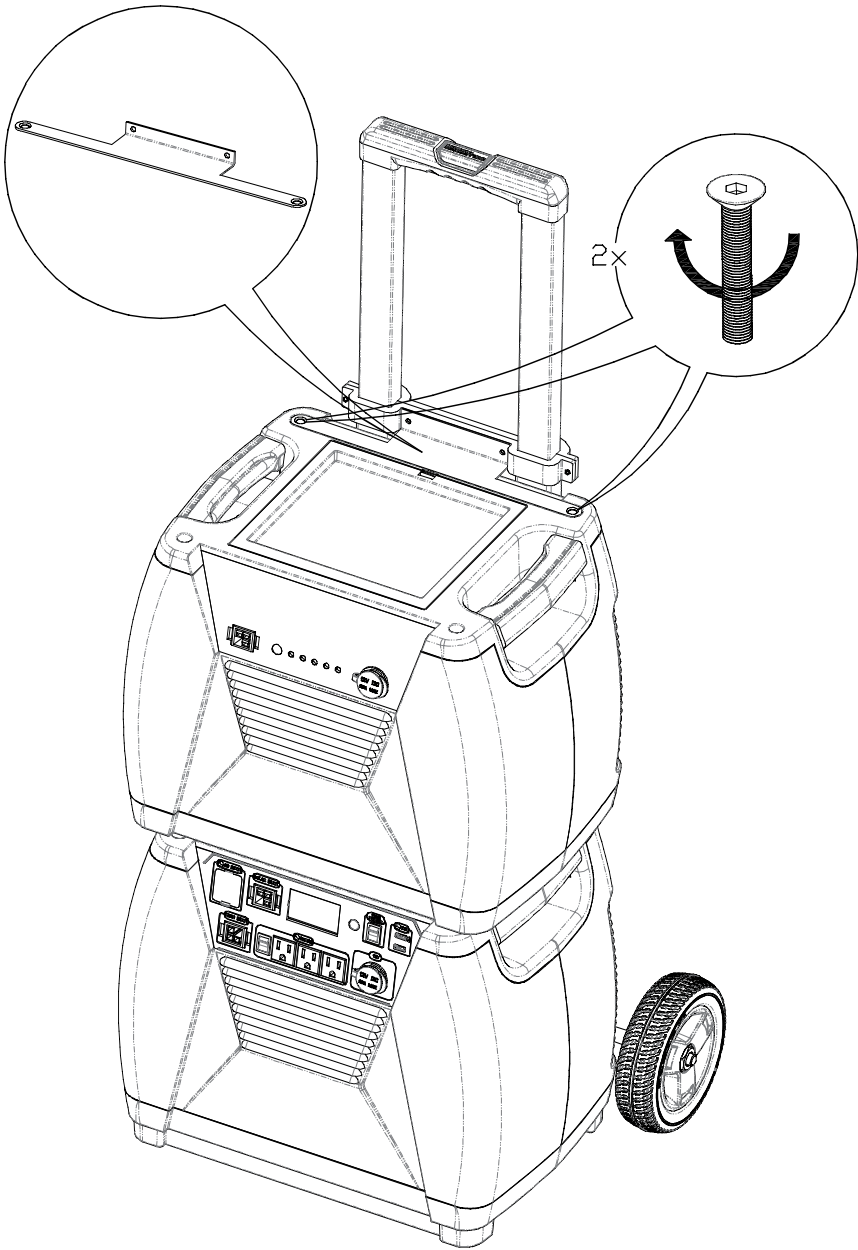
Step 3: Put the brackets on the cart. Bracket will match up with the shape of the cart frame. The curved part of the bracket should be placed on the back of the cart and the straight part of the bracket should be placed on the front of the cart.



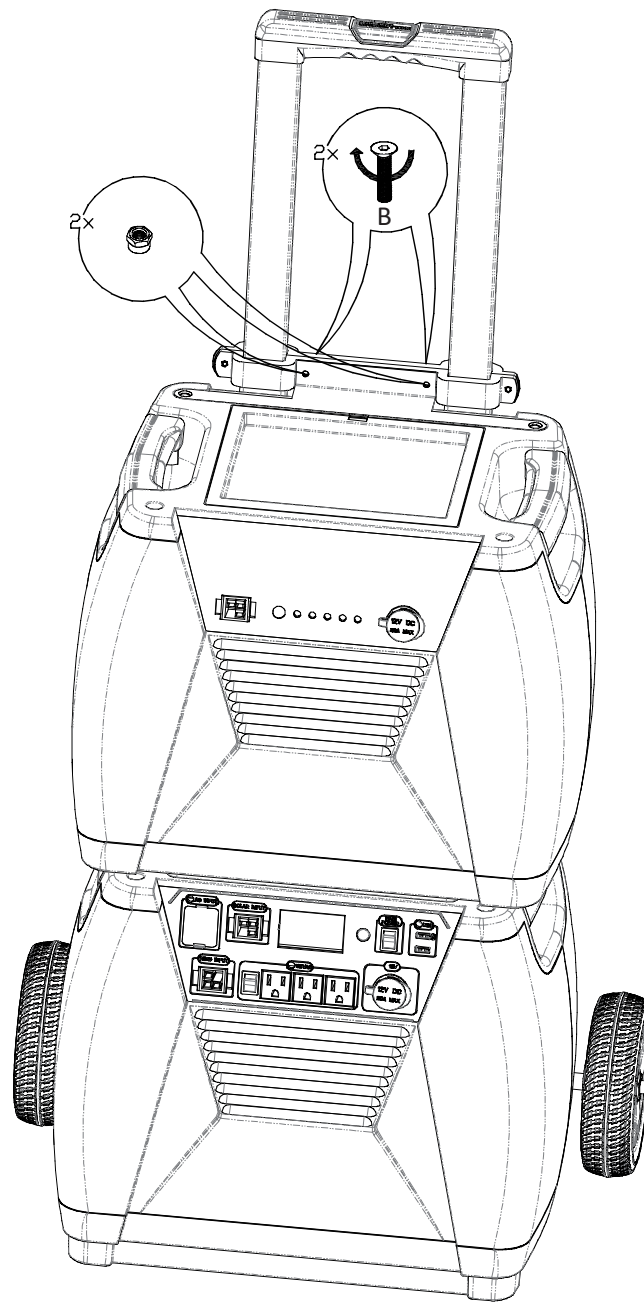
Step 4: Use type A bolts and nuts to secure the two brackets. Use wrench to hold the nuts the Allen wrench to tighten the bolts.



Step 5: Place Nature's Generator Power pod on the top of Nature's Generator. Insert the bolts that were removed in step 2 by the Allen wrench.



Step 6: Use the type B bolts and nuts to secure the brackets and power pod bar. Use the wrench to hold the nuts and the Allen wrench to tighten the bolts.



3.3 How to Connect Your Nature's Generator Power Pod to Nature's Generator

You can connect your Nature's Generator Power Pod to your Nature's Generator to extend the overall run time.

- a. Open the top cover of the Nature's Generator Power Pod, locate the expansion cable, and run the expansion cable out of Nature's Generator Power Pod through the opening on the back of the Nature's Generator Power Pod.
- b. Locate expansion port on the back of your Nature's Generator and open the rubber cover.
- c. Connect the expansion cable to the expansion port. Due to the amount of voltage running between the Nature's Generator and Nature's Generator Power Pod, this is a very tight fit to ensure no electrical shock while connecting.
- d. The Expansion (chain link) Icon will be illuminated on the display of Nature's Generator to indicate Nature's Generator Power Pod is connected.

You will experience an increased run time of approximately 167% by adding one Nature's Generator Power Pod, approximately 333% by adding two Nature's Generator Power Pods and 500% by adding three Nature's Generator Power Pods.

3.4 How to Maintain and Store Your Nature's Generator Power Pod

Please recharge your Nature's Generator Power Pod once every four months and store in a ventilated, cool and dry location. If possible, please connect your Nature's Generator Power Pod to the solar panel while in storage to top off the battery voltage. This keeps the battery healthy and prolongs its life. Failure to maintain Nature's Generator Power Pod by these steps can result in battery damage which will void the product warranty.

Please clean your Nature's Generator Power Pod with a soft, lint-free cloth. If your Nature's Generator Power Pod is especially dirty, moisten a soft, lint-free cloth in a weak detergent solution, squeeze the excess moisture from the cloth, then wipe the cabinet with the cloth. Use a clean cloth to dry your Nature's Generator Power Pod.

4.0 Troubleshooting

4.1 My Nature's Generator Power Pod won't charge when I connect my solar panel to it.

Please follow these steps.

- a. Make sure the solar panel is pointed directly toward the sun. It is preferred to position the solar panel facing south. The solar panel may produce little or no power if it is positioned in shade.
- b. Check the cable connection on your Nature's Generator Power Pod and make sure it is properly connected.
- c. If the LEDs light up, but are not running. It means Nature's Generator Power Pod is being fully charged by the solar panel or solar panel does not have high enough voltage to recharge the Nature's Generator Power Pod.

5.0 Technical Specifications

Battery:

Type: AGM Sealed Lead Acid

Capacity: 100Ah (1200Wh)

Self-discharge: Recommend to recharge it every 4 months

Ports:

12V DC Port: up to 20A (240W max)

Expansion Cable: 35 inches

Charges:

Solar Charger: 200watt

Battery Level LED lights: 5 LED lights

General:

Dimensions: 18 x 12 x 15 in (47 x 30 x 38 cm)

Operating temperature: 32-104 °F (0-40 °C)

Storage Temperature: 23-111 °F (-5-45 °C)

Weight: 92 lbs (42kg)

6.0 Notice

Nature's Generator products, services, and features are subject to the agreed-upon terms and conditions during purchase. Please note that some products, services, or features described in this manual may not be available under your purchase contract. Unless otherwise specified in the contract, Nature's Generator makes no representations or warranties of any kind, express or implied, with respect to the contents of this manual.

The contents of this manual are subject to change without notice. Please get the latest version from: <https://naturesgenerator.com/pages/help-center> If you have any questions or concerns about this manual, please contact Nature's Generator support for further assistance.

7.0 WARRANTY & RETURNS

7.1 Limited Warranty

Natures Generator Inc. warrants to you, the original purchaser/owner of the product purchased and used in the United States, that all products shall be free of defects in the original manufacture of the materials or workmanship from the original date of delivery through the specific "Warranty Period" -- with each product's warranty period specifics set forth herein.

Nature's Generator warrants the product(s) purchased directly online from Nature's Generator or from a Nature's Generator authorized dealer/reseller (in its original packaging and with its warranty statement inside) against defects in materials and workmanship when used in accordance with the product's Nature's Generator User Manual, technical specifications, and other Product published guidelines during the specific product's Warranty Period stated below starting from the date of delivery to the original purchaser/owner.

The exclusive remedies available under this Limited Warranty are product repair or replacement which can only be performed by Nature's Generator or an approved dealer. To receive warranty service, the purchaser/owner must contact Nature's Generator customer service for issue-determining troubleshooting and to ensure the owner understands all of the service procedure steps.

7.2 Limited Warranty Coverage for Specified Products:

7.2.1 For all Nature's Generator Portable Generators or the Whole-home Powerhouse Generators or Solar Panels or Wind Turbines or Accessories: Warranty Coverage Period for:
Twelve (12) Months: Shipping, Parts and Labor.

7.2.2 For Nature's Generator Whole-home MyGrid 10K System: Warranty Coverage Period is for Thirty-six (36) months with:
Months 1-12: Shipping, Parts & Labor
Months 13-36: Parts Only.

7.2.3 For Nature's Generator Transfer Switches: Warranty Coverage for sixty (60) Months with:
Months 1-12: Shipping, Parts and Labor.
Months 13-24: Parts & Labor
Months 25-36: Parts Only
Months 37-60: Major Parts Component*
(*i.e. Contactors, Controlling Modules.)

7.3 Warranty Guidelines:

7.3.1 Warranty begins upon delivery of the product to the purchaser/owner.

7.3.2 Unit must be registered and have proof of purchase available.

7.3.3 Any and all applicable warranty repairs and/or concerns must be performed and/or addressed by Nature's Generator.

7.3.4 Nature's Generator will, at its sole discretion, repair or replace any part(s) which, upon evaluation, inspection, and testing by Nature's Generator is found to be defective.

7.3.5 Any equipment the purchaser/owner claims to be defective must be evaluated by Nature's Generator.

7.3.6 Damage to any covered components caused by use of an after-manufacture incompatible part or parts will not be covered by this warranty.

7.3.7 Any damage caused by the owner after receipt of the product is the responsibility of the owner and is not covered by this warranty.

7.3.8 Proof of performance of all required maintenance must be available.

7.3.9 Shipping to and from Nature's Generator for service will only be covered for 12 months and for a product with a manufacturer's defect requiring repair or replacement. If, upon inspection, it is found there is not a manufacturer's defect -- but instead an issue was caused by owner error or maintenance negligence or misuse -- the shipping, parts, and repair labor will be paid by the owner.

7.4 What does this Warranty Cover?

This Limited Warranty is conditioned on proper use of the product.

During the Warranty Period, if the original manufacture of the materials or workmanship of the product is determined to be defective by an authorized dealer or Natures Generator, then Natures Generator will at its sole discretion: (1) repair the product with new or rebuilt parts; or (2) replace the product at no charge with new or rebuilt comparable products or parts. Products and parts replaced under this warranty become the property of Natures Generator Inc. and are not returned. If service of products or parts are required after the Warranty Period expires, the product owner must pay all shipping, parts and labor charges. This warranty lasts as long as the original purchaser owns the product during the Warranty Period. Warranty coverage terminates if the original owner sells or otherwise transfers the product. As far as applicable law allows, the Warranty Period will not be extended or renewed or otherwise affected due to subsequent exchange, repair, or replacement of the Product. Product or part(s) repaired or replaced during the Warranty Period will be warranted for the remainder of the original Warranty Period from the date of repair or replacement.

7.5 The following will NOT be covered by this warranty:

7.5.1 Costs of normal maintenance.

7.5.2 Normal wear and tear including, without limitations, wear and tear of batteries which are consumables.

7.5.3 Damage to product caused by accidents, handling, or incorrect storage.

7.5.4 Damage/failures caused by operation with loads or installations other than what is recommended or specified by Nature's Generator.

7.5.5 Unauthorized modification/misapplication will not be warranted unless authorized by Nature's Generator in writing.

7.5.6 Damage to any covered components or consequential damages caused by the use of a non-compatible part(s) or noncompliance with Product instructions.

7.5.7 Failures due to normal wear and tear, rough handling, accident, misuse, abuse, negligence, improper installation, incorrect sizing, as well as fire, water, lightning or other acts of nature.

7.5.8 Damage related to rodent, reptile, and/or insect infestation.

7.5.9 Diagnostics or repairs performed by individuals other than Nature's Generator or not authorized in writing by Nature's Generator.

7.5.10 Damage that occurs because the product was not properly installed and/or was installed in a location that is not protected from weather if the product's user manual so directs.

7.5.11 Failures caused by any force majeure (act of God) or external cause including, and without limitation, fire, theft, freezing, war, lightning, earthquake, windstorm, hail, water, tornado, hurricane, or any other matters which are reasonably beyond the manufacturer's control.

7.5.12 Shipping costs associated with expedited shipping.

7.5.13 Any incidental, consequential, or indirect damages caused by defects in materials or workmanship, or any delay in repair or replacement of the defective part(s).

7.5.14 Failure to adequately package the product for transportation.

7.5.15 Extreme or external causes beyond the manufacturer's reasonable control including but not limited to failures or surge fluctuations in electrical power or failures to wireless networks or environmental electromagnetic interference or damaging solar flares.

7.5.16 Connection to improper power supply or faulty home wiring.

7.5.17 Any product with a warranty period that has expired.

7.6 Please note that the Limited Warranty does not cover the following:

- Cosmetic damage
- Damage due to force majeure, such as lightning strikes, fire, flood, etc..
- Accident
- Misuse
- Abuse
- Negligence
- Modification of any part of the product
- Damage due to incorrect operation or maintenance

- Connection to an incorrect voltage supply or faulty house wiring
- Refurbished products
- Consumables, such as batteries
- Products where the factory applied serial number has been altered or removed.

For these cases, repair labor fee, plus the cost of the part(s) to be replaced, and shipping will be charged to the customer.

REPAIR OR REPLACEMENT AS PROVIDED UNDER THIS WARRANTY IS THE PURCHASER/OWNER'S EXCLUSIVE REMEDY. NATURES GENERATOR INC SHALL NOT BE LIABLE FOR ANY INCIDENTAL OR CONSEQUENTIAL DAMAGES FOR THE BREACH OF ANY EXPRESS OR IMPLIED WARRANTY ON THIS PRODUCT, INCLUDING, BUT NOT LIMITED TO: LOSS OR CORRUPTION OF DATA, LOSS OF USE OF PRODUCTS OR FUNCTIONALITY, LOSS OF BUSINESS, LOSS OF CONTRACTS, LOSS OF PROFITS, LOSS OF REVENUES, LOSS OF ANTICIPATED SAVINGS, INCREASED COSTS OR EXPENSES FOR ANY INDIRECT LOSS OR DAMAGE OR ANY CONSEQUENTIAL LOSS OR DAMAGE OR ANY SPECIAL LOSS OR DAMAGE WITH RESPECT TO THE PRODUCT. ALL EXPRESS AND IMPLIED WARRANTIES FOR THE PRODUCT INCLUDING, BUT NOT LIMITED TO, ANY IMPLIED WARRANTIES ARE LIMITED IN DURATION TO THE SPECIFIC PRODUCT WARRANTY PERIODS AND TERMS SET FORTH HEREIN. NO WARRANTIES, WHETHER EXPRESS OR IMPLIED, WILL APPLY AFTER THE WARRANTY PERIOD ENDS. THIS WARRANTY SUPERSEDES ALL OTHER WARRANTIES EXPRESS OR IMPLIED. SPECIFICALLY, NATURE'S GENERATOR MAKES NO OTHER WARRANTIES AS TO THE MERCHANTABILITY AND FITNESS FOR A PARTICULAR PURPOSE. PURCHASER'S SOLE AND EXCLUSIVE REMEDY AND NATURES GENERATOR'S ONLY LIABILITY SHALL BE THE REPAIR OR REPLACEMENT OF PART(S) AS SET FORTH HEREIN. IN NO EVENT SHALL NATURE'S GENERATOR BE LIABLE FOR ANY INCIDENTAL OR CONSEQUENTIAL DAMAGES, EVEN IF SUCH DAMAGES ARE A DIRECT RESULT OF NATURE'S GENERATOR NEGLIGENCE. SOME JURISDICTIONS DO NOT ALLOW THE EXCLUSION OR LIMITATION OF INCIDENTAL OR CONSEQUENTIAL DAMAGES, SO THE ABOVE LIMITATION MAY NOT APPLY TO YOU. THIS WARRANTY GIVES YOU SPECIFIC LEGAL RIGHTS. YOU ALSO MAY HAVE OTHER RIGHTS UNDER APPLICABLE LAW. EXCEPT AS PROVIDED IN THIS WARRANTY, NATURE'S GENERATOR FURTHER DISCLAIMS ANY RESPONSIBILITIES FOR LOSSES, EXPENSES, INCONVENIENCES, OR SPECIAL, INDIRECT, SECONDARY, OR CONSEQUENTIAL DAMAGES ARISING FROM OWNERSHIP AND USE OF THE PRODUCTS. IF ANY WARRANTY TERM IS HELD TO BE ILLEGAL OR UNENFORCEABLE BY LAW, IT WILL BE EXCLUDED FROM THE WARRANTY WITH THE LEGALITY OF THE REMAINING TERMS NOT AFFECTED.

PLEASE NOTE: ALL CLAIMS MADE UNDER THIS LIMITED WARRANTY WILL BE GOVERNED BY THE TERMS SET FORTH IN THIS WARRANTY DOCUMENT AND THIS LIMITED WARRANTY SUPERCEDES ALL PREVIOUS NATURE'S GENERATOR WARRANTY STATEMENTS OR OTHER MARKETING MATERIALS.

7.7 How to Obtain Warranty Service?

Please call: 1-800-975-7909 Monday through Friday, 9:00AM to 5:00PM PST. You will be provided with a **Return Merchandise Authorization (RMA)** number and return instructions. Please include the RMA number prominently displayed on the shipping box and include your name, phone number and address with the product inside the box. Send product to:

NATURES GENERATOR INC
3233 Mission Oaks Blvd
Suite N
Camarillo, CA 93012

Contact Natures Generator Inc:
For customer service please call 1-800-975-7909

Contents

1.0 Instrucciones importantes de seguridad	22
1.1 Instrucciones de seguridad	22
1.2 Exigences générales	22
1.3 Avertissement	23
1.4 Attention	23
1.5 Sécurité de la batterie	24
1.6 Instructions de Maintenance	25
1.7 Instruction de stockage	25
1.8 Instrucciones relativas al riesgo de incendio, descarga eléctrica, o lesiones a las personas	26
Instrucciones de seguridad importantes	26
1.9 Advertencia: instrucciones de puesta a tierra	26
2.0 Introducción	27
2.1 Desempacando el Power Pod de Nature's Generator	27
2.2 Conociendo el Power Pod de Nature's Generator	28
3.0 Usando el Power Pod de Nature's Generator	30
3.1 Cómo Cargar el Power Pod de Nature's Generator	30
3.2 Cómo instalar el Power Pod de Nature's Generator encima del Nature's Generator	31
3.4 Cómo conectar el Power Pod de Nature's Generator al Nature's Generator	38
4.0 Solución de problemas	38
5.0 Especificaciones técnicas	39
6.0 Notificación	39
7.0 Garantía y devolu	40
daños cosméticos	42
daños por fuerza mayor, como caída de rayos, incendio, inundación, etc.	42

1.0 Instructions importantes de seguridad

1.1 Instructions de seguridad

1.1.1 lisez ces instructions.

1.1.2 gardez ce manuel d'utilisation dans un endroit sûr et accessible.

1.1.3 prendre note de tous les avertissements pour éviter les blessures ou les dommages.

1.1.4 suivez toutes les instructions.

1.1.5 les consignes de sécurité fournies dans le présent document sont à titre indicatif et comprennent, sans s'y limiter, celles énumérées dans le présent manuel. L'exploitation réelle doit être conforme à toutes les normes de sécurité applicables.

1.1.6 toujours faire fonctionner ou stocker l'équipement dans les conditions spécifiées dans le présent manuel.

L'installation et les conditions ambiantes doivent être conformes aux normes nationales et locales pertinentes.

1.1.7 éviter le démontage non autorisé, le remplacement de l'équipement ou la modification des codes logiciels.

1.1.8 nature'S Generator ne peut être tenu responsable des dommages à l'équipement, des blessures corporelles, des pertes de biens ou d'autres dommages résultant des circonstances suivantes:

- a. Les événements de Force majeure tels que les tremblements de terre, les incendies, les tempêtes, les inondations ou les glissements de terrain.
- b. Les dommages causés par une manipulation et une installation inadéquates.
- c. Les dommages résultant de conditions de stockage inadéquates telles que spécifiées dans le manuel.
- d. Dommages matériels ou de données causés par la négligence du client, une mauvaise utilisation ou des actions intentionnelles.
- e. Dommages au système causés par des tiers ou des clients.
- f. Ajustements, changements ou enlèvement d'étiquettes en violation de ce manuel.

1.1.9 Ce produit n'est pas destiné à être utilisé avec des appareils qui ont des exigences de haute performance pour les UPS (alimentation sans interruption), y compris, mais sans s'y limiter, les serveurs de données, les postes de travail, l'équipement médical et les appareils similaires.

1.2 Exigences générales

1.2.1 Ne pas installer, utiliser ou entretenir cet équipement près de l'eau.

1.2.2 Ne pas installer, utiliser et entretenir cet équipement dans des conditions météorologiques défavorables telles que la foudre, la pluie, la tempête, la neige et les tremblements de terre.

1.2.3 Gardez cet équipement loin des sources de chaleur ou des températures élevées ou de la lumière directe du soleil.

1.2.4 ne pas insérer de corps étrangers dans les ouvertures de ventilation ou les bloquer.

1.2.5 éteignez toujours la source d'alimentation avant de commencer tout travail électrique.

1.2.6 laisser un dégagement d'au moins 20 pouces de tous les côtés de l'équipement pour une bonne ventilation de l'air afin de dissiper la chaleur.

1.2.7 ne pas utiliser à proximité de gaz ou de fumées inflammables ou d'autres équipements qui produisent une grande quantité de chaleur.

1.2.8 ne pas entreposer cet équipement avec des matières inflammables ou explosives.

1.2.9 ne placez pas l'équipement sur une surface instable ou inclinée.

1.2.10 utiliser l'équipement aux fins prévues et éviter d'empiler des objets sur le dessus pendant l'entreposage ou l'utilisation.

1.2.11 gardez le système hors de la portée des enfants et des animaux domestiques.

1.2.12 utiliser uniquement des accessoires/accessoires approuvés par le fabricant.

1.2.13 inspecter régulièrement l'équipement et ses accessoires pour déceler tout dommage ou détérioration.

1.2.14 Référez tous les services d'entretien à du personnel de service qualifié. L'entretien est nécessaire lorsque l'équipement a été endommagé de quelque façon que ce soit, comme un cordon d'alimentation électrique ou une prise, un liquide a été déversé ou des objets sont tombés dans l'équipement, l'équipement a été exposé à la pluie ou à l'humidité, a été tombé ou ne fonctionne pas normalement.

1.2.15 El equipo no debe estar expuesto a gotas o salpicaduras, y no se deben colocar objetos llenos de líquidos, como vasos de bebida o vasos de flores, sobre el equipo.

1.2.16 El transporte, el cableado, la instalación y el mantenimiento deben cumplir con todas las leyes, normas y estándares aplicables.

1.2.17 No realice cambios o modificaciones en la estructura del equipo, la secuencia de instalación, etc.

1.2.18 Coloque el sistema en una superficie plana y fíjelo firmemente a una pared u otros objetos sólidos.

1.2.19 Después de instalar el equipo, retire los materiales de embalaje no utilizados del sitio, como cartones, espuma, plástico, atrapasables de nailón, etc.

1.3 Avertissement

1.3.1 Risque de choc électrique

Manténgalo alejado de los niños. Evite trabajar con componentes eléctricos activos. Para reducir el riesgo de incendio o descarga eléctrica, no quite ninguna tapa ni exponga el dispositivo a la lluvia o a la humedad. No introduzca objetos extraños en los enchufes de CA o en los orificios de ventilación.

1.3.2 risque d'explosion

Ne pas brûler ou incinérer cet article. Cet article peut exploser, causant des dommages matériels ou des blessures corporelles. Ne pas utiliser à proximité de gaz ou de fumées inflammables ou d'autres équipements qui produisent de grandes quantités de chaleur. Laisser un dégagement d'au moins 20 pouces de tous les côtés de l'équipement pour une bonne ventilation de l'air afin de dissiper la chaleur.

1.3.3 risque de foudre

Pour une protection supplémentaire de votre appareil en cas d'orage, débranchez-le de la prise de courant et débranchez les câbles. Cela aide à prévenir les dommages matériels et les blessures corporelles causés par la foudre et les surtensions des lignes électriques.

1.3.4 risques liés à l'énergie et à la combustion

La Power Pod de Nature's Generator tiene baterías de ácido plomo, las cuales pueden presentar un riesgo de quemaduras o peligro de incendio debido a una corriente alta causada por un corto circuito.

1.3.5 pièces de rechange

Lorsque des pièces de rechange sont nécessaires, assurez-vous que le technicien de service utilise des pièces de rechange spécifiées par le fabricant qui ont les mêmes caractéristiques que la pièce d'origine. Les substitutions non autorisées peuvent entraîner un incendie, une décharge électrique, des blessures corporelles ou d'autres dangers.

1.4 Attention

1.4.1 Dommages nécessitant un Service

Deje de usar la Power Pod de Nature's Generator y consulte a personal de servicio calificado en las siguientes condiciones:

- Si se ha derramado líquido o si objetos han caído dentro de su Power Pod de Nature's Generator.

- Si su Power Pod de Nature's Generator ha sido expuesta a la lluvia o al agua.
- Si su Power Pod de Nature's Generator ha sido caída o dañada de cualquier manera.
- Cuando su Power Pod de Nature's Generator muestra un cambio notable en su rendimiento.

1.4.2 Temps froid

Las temperaturas bajas pueden afectar el rendimiento de la Power Pod de Nature's Generator. Si se encuentra en una zona donde la temperatura estará consistentemente por debajo del punto de congelación, recomendamos mantener su Power Pod de Nature's Generator en un lugar aislado térmicamente.

1.4.3 Recyclage et élimination

Su Power Pod de Nature's Generator puede contener materiales que están regulados por razones ambientales. Su Power Pod de Nature's Generator también contiene materiales que pueden ser reciclados y reutilizados. Para ayudar a proteger el medio ambiente, comuníquese con las autoridades locales para obtener información sobre el desecho o el reciclaje y sobre cómo encontrar un reciclador en su área antes de desechar su Power Pod de Nature's Generator.

1.4.4 Contrôle de sécurité

Después de realizar cualquier servicio o reparación en este dispositivo, pida al técnico de servicio que realice comprobaciones de seguridad rutinarias para determinar que su Power Pod de Nature's Generator se encuentra en condiciones correctas de funcionamiento.

1.4.5 Service après-vente

Les instructions d'entretien sont destinées uniquement au personnel de service qualifié. Pour réduire le risque de choc électrique, n'effectuez aucun entretien autre que celui prévu dans le mode d'emploi, sauf si vous êtes qualifié pour le faire.

1.4.6 Outils métalliques

Sea muy precavido cuando utilice herramientas de metal en o alrededor de la Power Pod de Nature's Generator. Existe un riesgo potencial de que una herramienta se suelte y produzca chispas o un corto circuito en las baterías u otros componentes eléctricos, lo cual podría causar una explosión.

1.5 Sécurité de la batterie

1.5.1 connectez les terminaux et les ports en toute sécurité et effectuez des vérifications régulières.

1.5.2 empêcher les bornes positives et négatives de la batterie de se toucher ou des objets métalliques pour éviter la production de chaleur ou la fuite d'électrolyte.

1.5.3 ne court-circuitez pas les bornes de la batterie. Un court-circuit peut provoquer un incendie.

1.5.4 n'exposez pas la batterie à des températures élevées ou à proximité de sources de chaleur telles que la lumière du soleil, le feu, les transformateurs, les machines de soudage, les machines de meulage ou les appareils de chauffage.

1.5.5 ne démontez pas, ne modifiez pas ou n'endommagez pas la batterie pour éviter les fuites, la surchauffe ou le feu.

1.5.6 n'utilisez jamais de piles ou de composants endommagés. Une mauvaise utilisation de batteries ou de composants endommagés peut endommager votre appareil ou vous blesser en raison d'une fuite de liquide de batterie, d'un incendie, d'une surchauffe ou d'une explosion.

1.5.7 ne pas tourner la batterie ou l'incliner.

1.5.8 éliminer soigneusement et en toute sécurité les piles usagées conformément aux dispositions des lois et règlements locaux. Évitez de traiter les piles comme des ordures ménagères ordinaires, car une mauvaise élimination peut entraîner une pollution de l'environnement.

1.5.9 si vous trouvez une batterie qui fuit ou qui est endommagée, contactez une entreprise de recyclage de batterie agréée pour obtenir l'assistance d'un expert.

1.5.10 éviter tout contact avec un liquide ou un gaz déversé si la batterie fuit des produits chimiques ou des odeurs. Ne vous approchez pas de la batterie et contactez un professionnel pour l'élimination.

1.5.11 si vous inhalez des vapeurs de l'électrolyte de la batterie, prenez de l'air frais immédiatement et consultez un médecin.

1.5.12 si vous avez un contact visuel avec l'électrolyte de la batterie, lavez-vous les yeux à l'eau pendant au moins 15 minutes et consultez un médecin.

1.5.13 si vous avez un contact avec la peau avec l'électrolyte de la batterie, lavez la zone infectée avec de l'eau et du savon pendant au moins 15 minutes et consultez un médecin.

1.5.14 si vous ingérez l'électrolyte de la batterie, consultez immédiatement un médecin.

1.5.15 Power Pod de Nature's Generator ne sera pas responsable des dommages à l'équipement, des blessures corporelles, des pertes de biens ou d'autres dommages causés par les raisons suivantes:

- Défaut de charger la batterie après l'installation conduisant à la sur-décharge de batterie.
- Entretien inadéquat. Extension incorrecte de la capacité, ou périodes prolongées de charge incomplète et de décharge excessive fréquente de la batterie.
- Défaut de charger la batterie au besoin pendant le stockage, entraînant une perte de capacité ou des dommages irréparables.
- Des erreurs de fonctionnement ou de connexion incorrectes causant des courts-circuits, des dommages, des gouttes ou des fuites de batterie.
- Les dommages causés à la batterie par des conditions de fonctionnement ou des paramètres d'alimentation externes qui ne répondent pas aux exigences environnementales.
- Utilisateurs ou tiers utilisant la batterie d'une manière non spécifiée dans le manuel de l'utilisateur.

1.6 Instructions de Maintenance

1.6.1 Débranchez tous les câbles et éteignez l'équipement et attendez au moins 10 minutes après que l'équipement soit complètement éteint.

1.6.2 Wear personal protective equipment (PPE) during maintenance to avoid damage or electric shock.

1.6.3 Utilisez les outils correctement pour éviter les blessures ou les dommages à l'équipement.

1.6.4 Ne touchez pas l'équipement sous tension.

1.6.5 Ne nettoyez pas les composants électriques à l'intérieur et à l'extérieur de l'armoire à l'eau.

1.6.6 Ne vous tenez pas debout, ne vous appuyez pas ou ne vous asseyez pas au-dessus de l'équipement.

1.6.7 attention aux températures élevées.

1.6.8 ne démontez pas ou n'endommagez pas la batterie. L'électrolyte libéré est nocif pour la peau et les yeux. Évitez le contact avec l'électrolyte.

1.6.9 évitez les objets métalliques tels que les anneaux ou les outils métalliques pour toucher la batterie.

1.7 Instruction de stockage

1.7.1 Cuando no utilice la Power Pod de Nature's Generator durante períodos prolongados de tiempo, apague la electricidad y desconecte todas las conexiones eléctricas.

1.7.2 chargez le système à 40%-60% SoC avant le stockage.

1.7.3 afin de maintenir la batterie saine, chargez et déchargez entièrement le système tous les 6 mois.

1.7.4 assurez-vous que l'endroit où stocker le système est bien ventilé et spacieux.

1.7.5 ne pas entreposer le système dans des environnements inflammables ou explosifs.

1.7.6 gardez le système hors de la portée des enfants et des animaux domestiques.

1.7.7 ne mettez rien sur le dessus de l'équipement pendant le stockage.

1.7.7 éviter d'exposer l'équipement à la pluie, à l'humidité ou à la lumière directe du soleil.

1.7.8 stocker le produit dans les conditions décrites dans ce manuel.

1.8 Instrucciones relativas al riesgo de incendio, descarga eléctrica, o lesiones a las personas

Instrucciones de seguridad importantes

1.8.1 Advertencia - al usar este producto, siempre se deben seguir las precauciones básicas, incluyendo las siguientes:

- a. Lea todas las instrucciones antes de usar el producto.
- b. Para reducir el riesgo de lesiones, es necesaria una estrecha supervisión cuando el producto se utiliza cerca de niños.
- c. No ponga los dedos o las manos en el producto.
- d. El uso de un accesorio no recomendado o vendido por el fabricante de la fuente de alimentación puede dar lugar a un riesgo de incendio, descarga eléctrica, o lesiones a las personas.
- e. Para reducir el riesgo de daños en el enchufe eléctrico y el cable, tire del enchufe en lugar del cable al desconectar la fuente de alimentación.
- f. No use una batería o aparato que esté dañado o modificado. Las baterías dañadas o modificadas pueden exhibir un comportamiento impredecible que resulta en fuego, explosión o riesgo de lesión.
- g. No opere la fuente de alimentación con un cable o enchufe dañado, o un cable de salida dañado.
- h. No desmonte la fuente de alimentación, llévela a una persona de servicio cualificado cuando se requiera servicio o reparación. El montaje incorrecto puede resultar en un riesgo de incendio o descarga eléctrica.
- i. Para reducir el riesgo de descarga eléctrica, desenchufe la fuente de alimentación de la toma antes de intentar cualquier servicio de mantenimiento.
- j. Al cargar la batería interna, trabajar en una zona bien ventilada y no restringir la ventilación de ninguna manera.
- k. No exponga una fuente de alimentación al fuego o a una temperatura excesiva. La exposición al fuego o temperatura por encima de 130°C (265°F) puede causar una explosión.
- l. Tener un servicio de mantenimiento realizado por un reparador cualificado utilizando sólo piezas de repuesto idénticas. Esto garantizará que se mantenga la seguridad del producto.

Guardar estas instrucciones

1.9 Advertencia: instrucciones de puesta a tierra

1.9.1 Cuando los códigos locales lo requieran, este producto debe estar en tierra. Si funciona mal o se rompe, la puesta a tierra proporciona un camino de menor resistencia para la corriente eléctrica para reducir el riesgo de descarga eléctrica. Este producto está equipado con un cable que tiene un conductor de puesta a tierra del equipo y un conector de puesta a tierra. El enchufe debe estar conectado a una toma que esté debidamente instalada y conectada a tierra de acuerdo con todas las ordenanzas de códigos locales.

1.9.2 Advertencia - la conexión incorrecta del conductor de puesta a tierra del equipo puede resultar en un riesgo de descarga eléctrica. Compruebe con un electricista calificado si usted está en duda en cuanto a si el producto está conectado a tierra correctamente. No modifique el enchufe suministrado con el producto - si no va a encajar en la toma, tenga una toma adecuada instalada por un electricista calificado.

2.0 Introducción

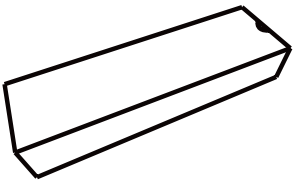
Felicidades por tu nuevo Power Pod de Nature's Generator, una gran adición a tu Nature's Generator.

2.1 Desempacando el Power Pod de Nature's Generator

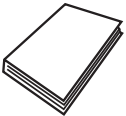
2.1.1 El Power Pod de Nature's Generator



2.1.2 Caja de accesorios

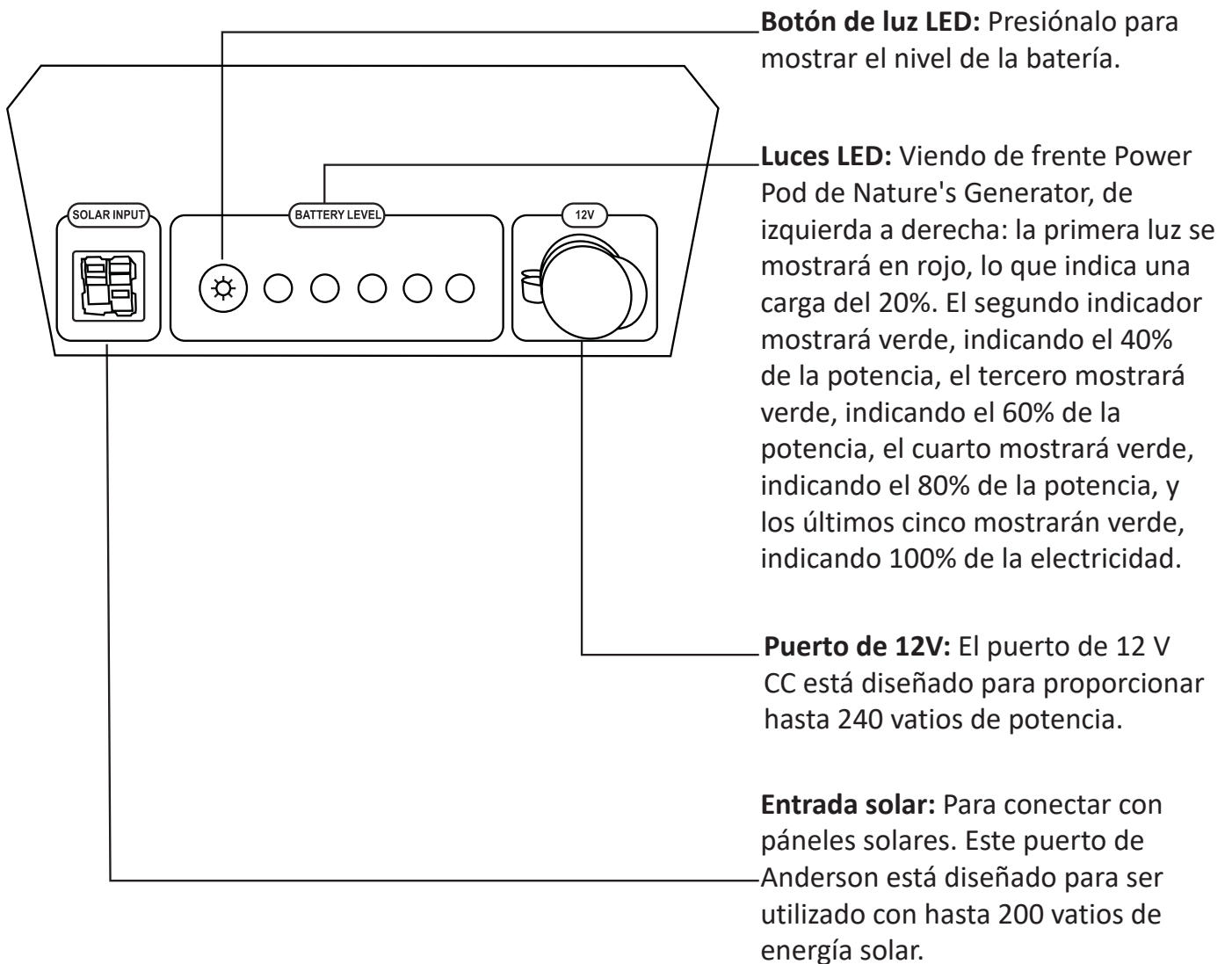


2.1.3 Esta Guía del Usuario

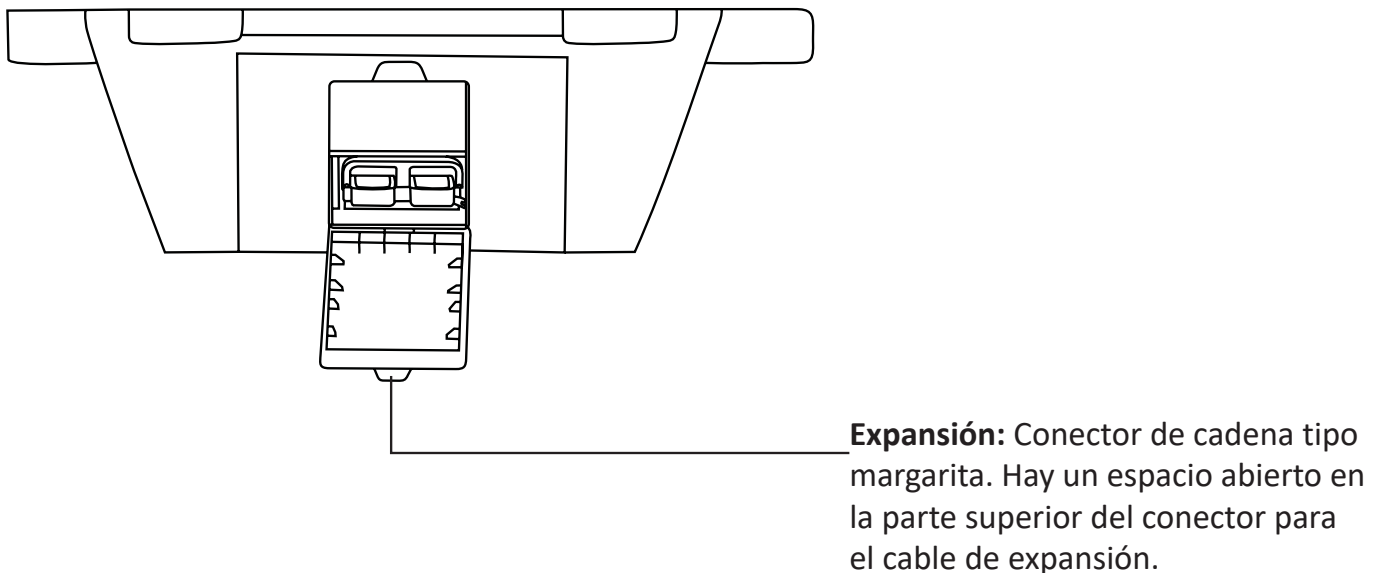


2.2 Conociendo el Power Pod de Nature's Generator

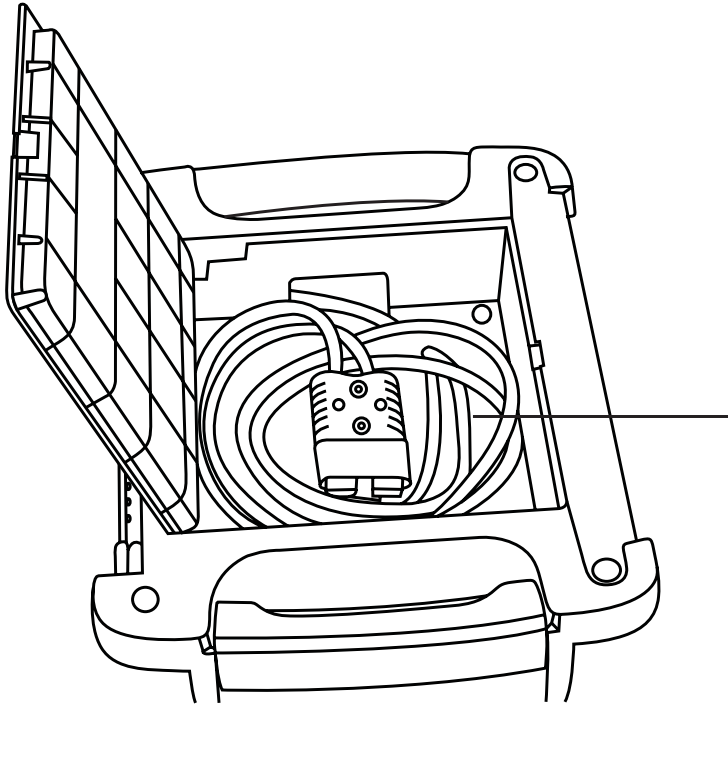
2.2.1 Front Panel



2.2.2 Panel posterior



2.2.3 Compartimento Superior



Cable de expansión: Cable de expansión de 35 pulgadas de largo.

3.0 Usando el Power Pod de Nature's Generator

3.1 Cómo Cargar el Power Pod de Nature's Generator

3.1.1 Cargando con Páneles Solares

- a. Coloca tu panel solar donde reciba la mayor cantidad posible de luz solar directa. Si bien siempre se prefiere la luz solar directa, los páneles solares deben estar conectados en todo momento para proporcionar una carga de goteo constante a tu batería. Los páneles solares también enviarán carga a tu unidad mientras se encuentre en cielos nublados.
- b. Inserta el enchufe del panel solar en el puerto de Entrada Solar en la parte frontal del Power Pod de tu Nature's Generator. Sabrás que se está cargando cuando las luces LED comiencen a funcionar. Las luces LED permanecen encendidas cuando la batería está llena o no hay suficiente energía del panel solar.
- c. Se tarda entre 10 y 15 horas en recargar el Power Pod de Nature's Generator si se usa un panel solar de 100 vatios, y también depende de la fuerza de la luz solar.
- d. Para aumentar la velocidad de recarga, puedes conectar en cadena varios páneles solares en conexión paralela. El puerto de entrada solar puede aguantar hasta 200 vatios de energía solar. Visita naturesgenerator.com para obtener información sobre la compra de páneles solares adicionales.

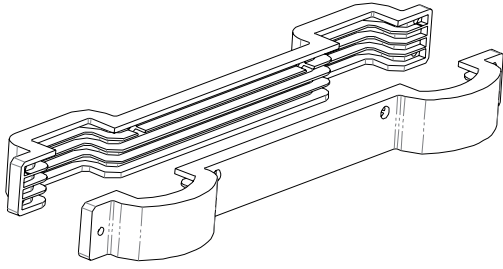
3.1.2 Cargando desde el Nature's Generator

- a. Conecta el Power Pod de Nature's Generator al Nature's Generator (no incluido en la caja) usando el cable de expansión.
- b. Cuando el Nature's Generator se esté cargando usando energía solar, eólica o conectado a la pared, el Power Pod de tu Nature's Generator se cargará al mismo tiempo.
- c. Las luces LED no se ejecutan mientras el Power Pod de Nature's Generator se recarga desde el Nature's Generator, pero puedes presionar el botón de luz LED para verificar el nivel de la batería.

3.2 Cómo instalar el Power Pod de Nature's Generator encima del Nature's Generator

3.2.1 Qué está incluido en la caja de accesorios

a. Soportes



b. Tornillos y tuercas

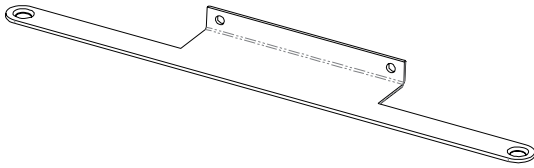


A: 16mm x 2 piezas

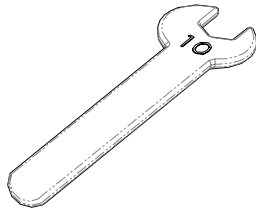
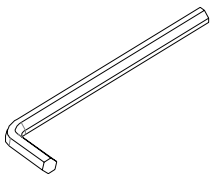


B: 25mm x 2 piezas

c. Barra del Power Pod

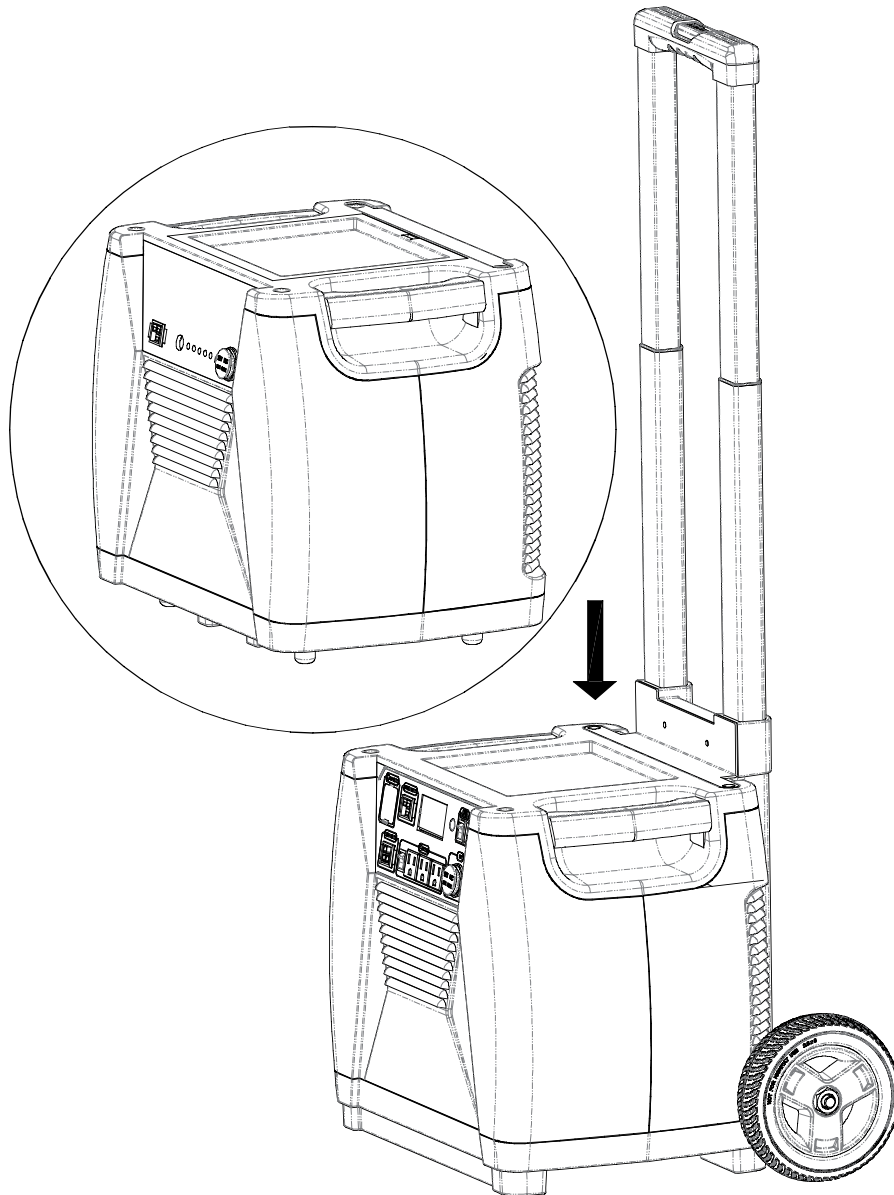


d. Herramientas

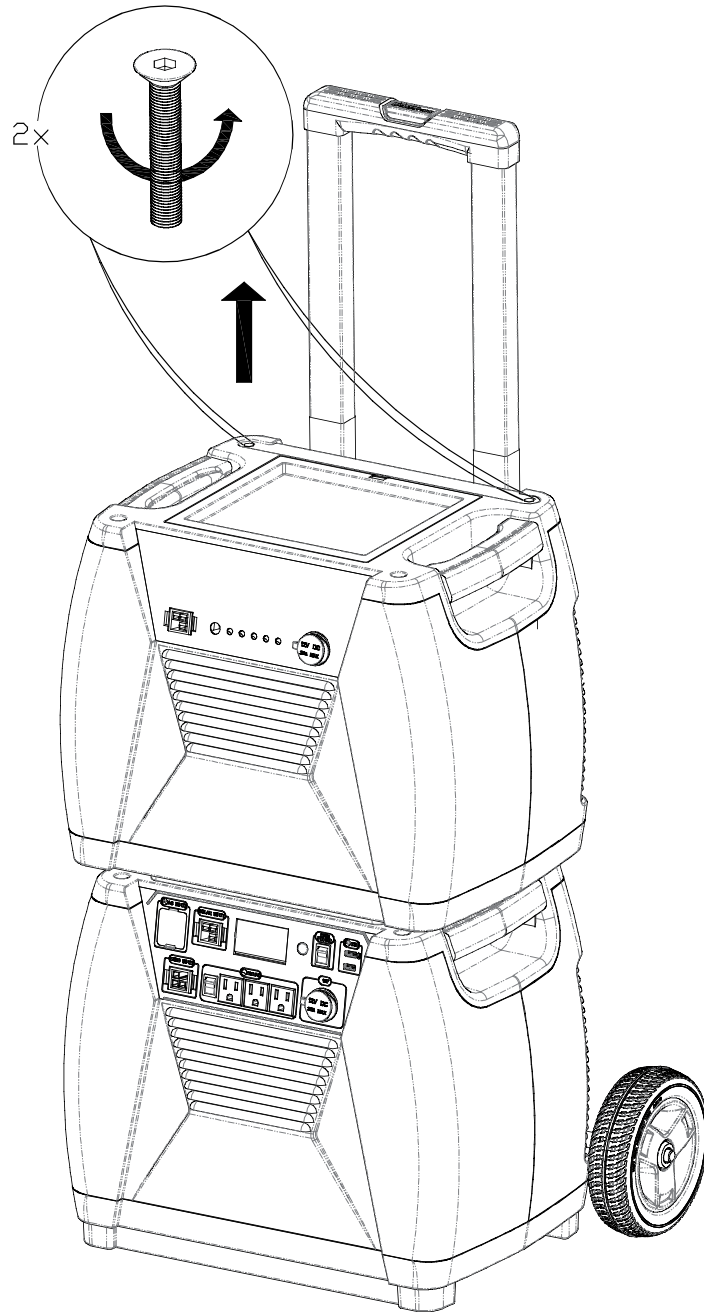


3.3 Procedimientos de instalación

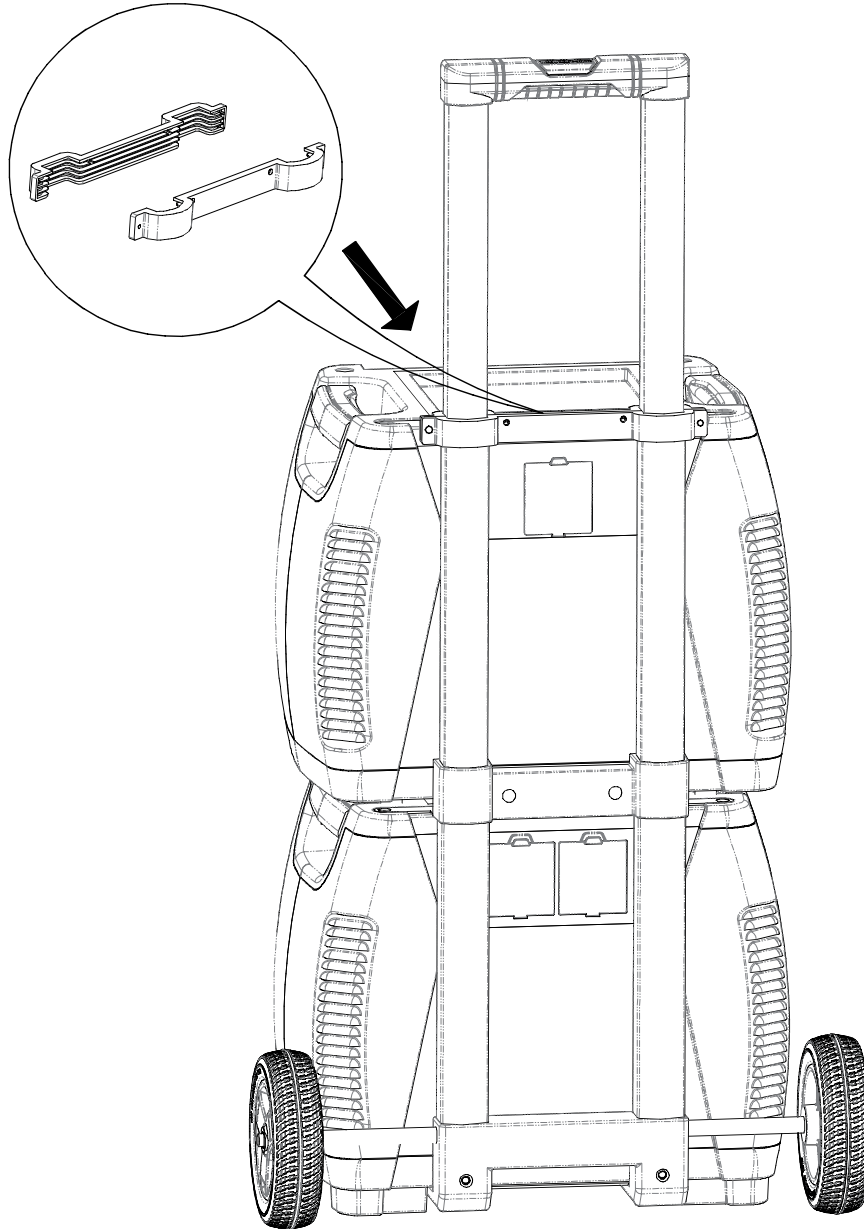
Paso 1: levanta el Power Pod de Nature's Generator y colócalo sobre el Nature's Generator. Asegúrate de que los pies del Power Pod de Nature's Generator se encuentren entre el asa y la cubierta superior del Nature's Generator.



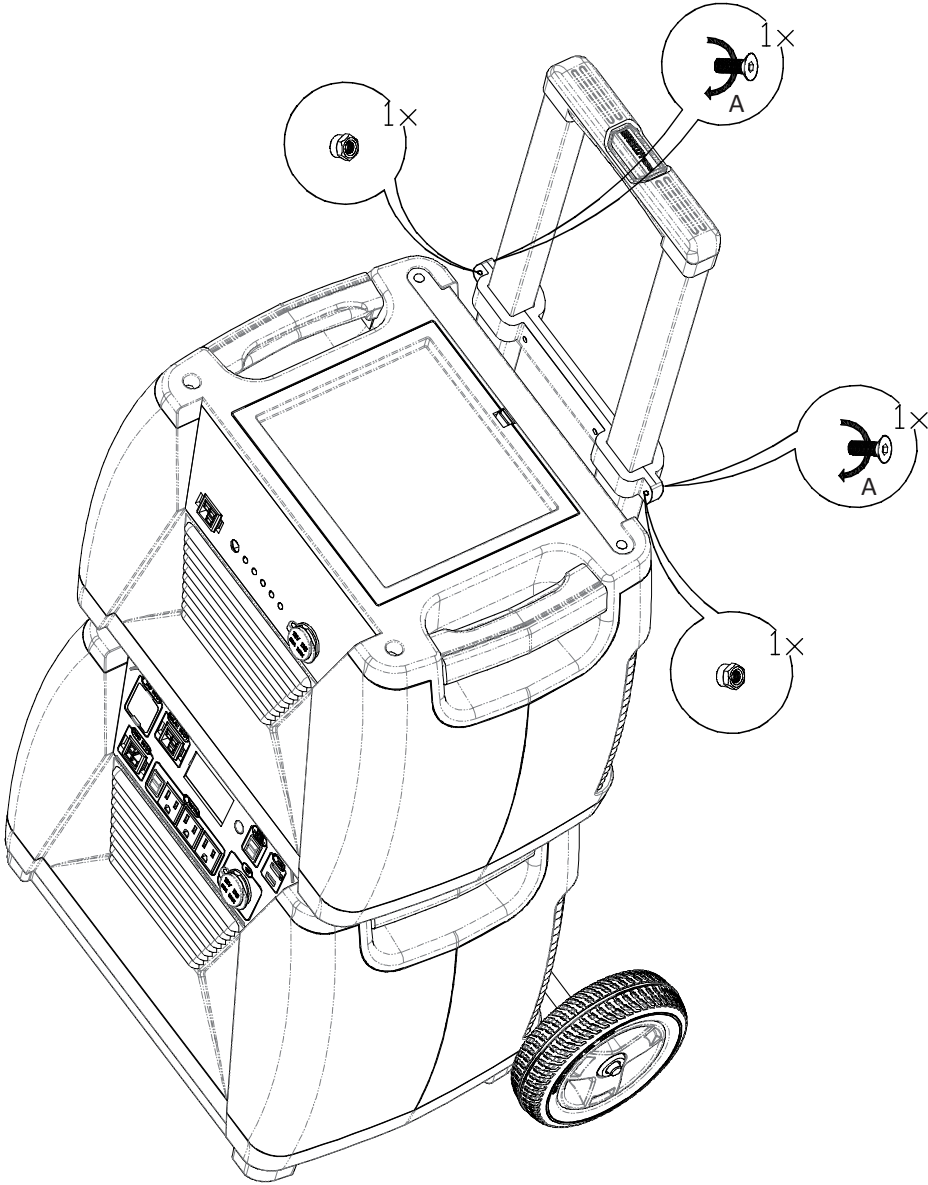
Paso 2: Retira los dos pernos del Power Pod de Nature's Generator con la llave Allen incluida. Deja a un estos dos tornillos por ahora, ya que se reutilizarán en el paso 5 a continuación.



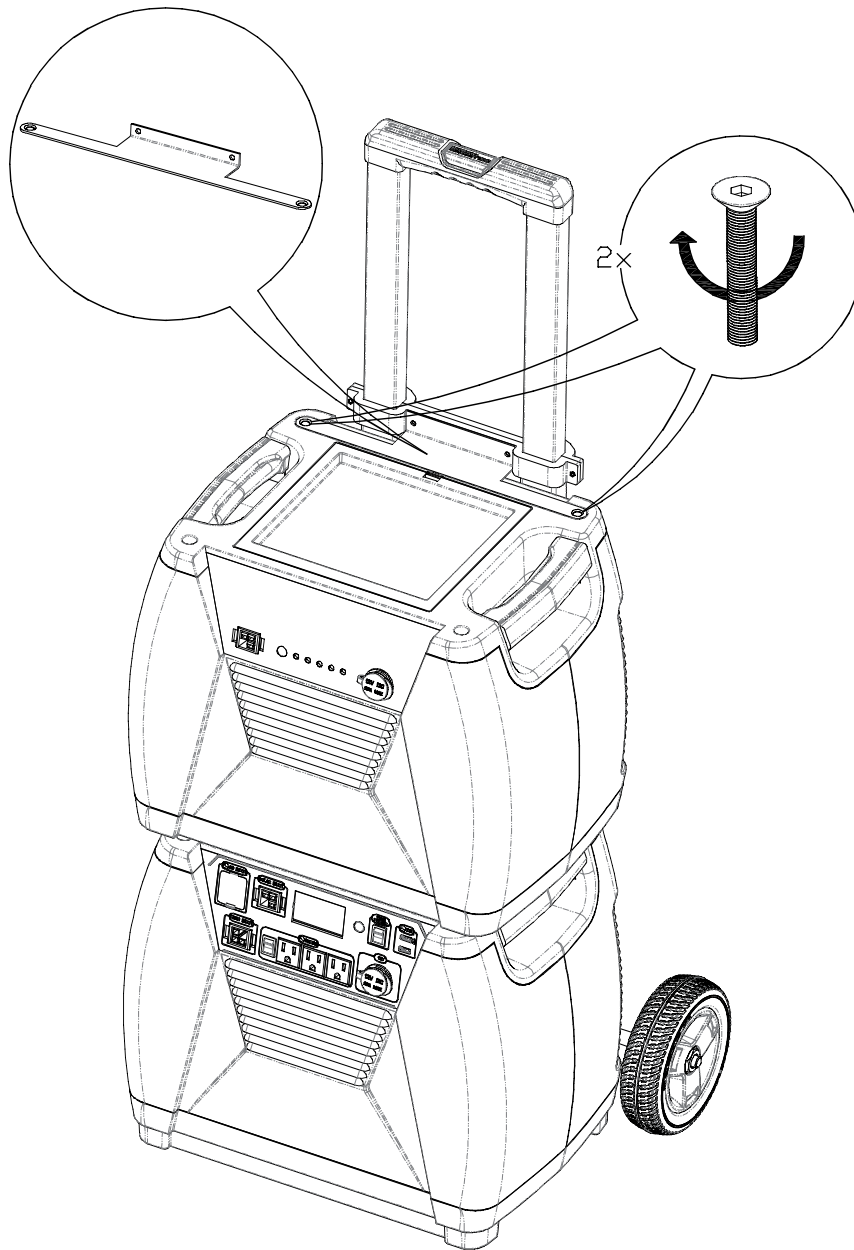
Paso 3: Coloca los soportes en el carrito. El soporte coincidirá con la forma del marco del carro. La parte curva del soporte debe colocarse en la parte posterior del carrito y la parte recta del soporte debe colocarse en la parte frontal del carrito.



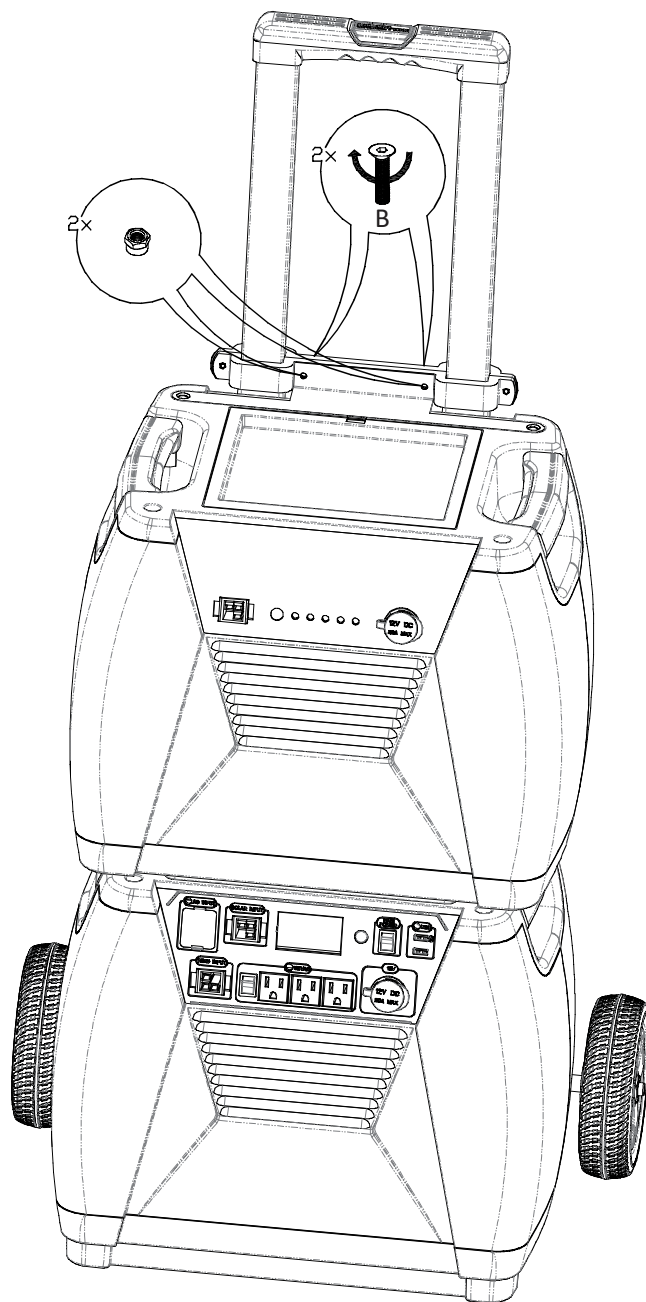
Paso 4: Utiliza tornillos y tuercas tipo A para asegurar los dos soportes. Usa una llave para sujetar las tuercas de la llave Allen para apretar los pernos.



Paso 5: Coloca la cápsula de poder en la parte superior del Power Pod de Nature's Generator. Inserta los tornillos que se quitaron en el paso 2 con la llave Allen.



Paso 6: Usa los pernos y tuercas tipo B para asegurar los soportes y la barra de la cápsula de poder. Usa la llave para sujetar las tuercas y la llave Allen para apretar los pernos.



3.4 Cómo conectar el Power Pod de Nature's Generator al Nature's Generator

3.4.1 Puedes conectar el Power Pod de Nature's Generator a tu Nature's Generator para extender el tiempo de uso.

- a. Abre la cubierta superior del Power Pod de Nature's Generator, ubica el cable de expansión y extiende el cable de expansión del Power Pod a través de la abertura en la parte posterior del Power Pod.
- b. Localiza el puerto de expansión en la parte posterior de tu Nature's Generator y abre la cubierta de goma.
- c. Conecta el cable de expansión al puerto de expansión. Debido a la cantidad de voltaje que se ejecuta entre el Nature's Generator y el Power Pod de Nature's Generator, este es un ajuste muy apretado para garantizar que no se produzcan descargas eléctricas durante la conexión.
- d. El icono de Expansión (enlace de cadena) se iluminará en la pantalla del Nature's Generator para indicar que el Power Pod está conectado.
- e. Experimentarás un aumento en el tiempo de ejecución de aproximadamente 167% al agregar un Power Pod de Nature's Generator, aproximadamente 333% al agregar dos Power Pods y al 500% al agregar tres Power Pods.

3.4.2 Cómo Mantener y Almacenar tu Power Pod de Nature's Generator

Recarga tu Power Pod de Nature's Generator una vez cada cuatro meses y almacénalo en un lugar ventilado, fresco y seco. Si es posible, conecte su Power Poder de Nature's Generator al panel solar mientras está almacenado para completar el voltaje de la batería. Esto mantiene la batería sana y prolonga su vida útil. Si no se realiza el mantenimiento del Power Pod de Nature's Generator mediante estos pasos, se puede dañar la batería, lo que anulará la garantía del producto.

Limpia el Power Pod de Nature's Generator con un paño suave y sin pelusas. Si el Power Pod de Nature's Generator está especialmente sucio, humedece un paño suave y sin pelusa en una solución de detergente débil, exprime el exceso de humedad del paño y luego limpia el gabinete con el paño. Usa un paño limpio para secar el Power Pod de Nature's Generator.

4.0 Solución de problemas

4.1 Mi Power Pod de Nature's Generator no se carga cuando le conecto mi panel solar.

Por favor sigue estos pasos.

- a. Asegúrate de que el panel solar apunte directamente hacia el sol. Es preferible colocar el panel solar orientado hacia el sur. El panel solar puede producir poca o nada de energía si se coloca en la sombra.
- b. Verifica la conexión del cable en el Power Pod de Nature's Generator y asegúrate de que esté correctamente conectado.
- c. La pantalla LCD se enciende pero la batería no está funcionando. Esto significa que el panel solar ha cargado completamente el Power Pod de Nature's Generator o el panel solar no tiene el voltaje suficiente para recargar el Power Pod de Nature's Generator.

5.0 Especificaciones técnicas

Batería:

Tipo: AGM Sealed Acid

Capacidad: 100Ah (1200Wh)

Autodescarga: Se recomienda recargar cada 4 meses

Puertos:

12V Puerto DC: hasta 20A (240W máximo)

Cable de Expansión: 35 pulgadas

Cargas:

Cargador solar: 200watt

Luces LED del Nivel de la Batería: 5 Luces LED

General:

Dimensiones: 18 x 12 x 15 pulgadas (47 x 30 x 38 cm)

Temperatura de funcionamiento: 32-104 ° F (0-40 ° F) C)

Temperatura de almacenamiento: 23-111 ° F (-5-45 ° C)

Peso del producto: 92 libras

6.0 Notificación

Los productos, servicios y características del generador de la naturaleza se subeligen a los términos y condiciones acordados durante la compra. Tenga en cuenta que algunos productos, servicios o características descritas en este manual pueden no estar disponibles en su contrato de compra. A menos que se especifique lo contrario en el contrato, Nature's Generator no hace representaciones o garantías de ningún tipo, expresas o implícitas, con respecto al contenido de este manual.

El contenido de este manual está sujeto a cambios sin previo aviso. Si tiene alguna pregunta o inquietud acerca de este manual, por favor póngase en contacto con el soporte de generadores de Nature para obtener más ayuda.

7.0 Garantía y devolu

7.1 Garantía limitada

Natures Generator Inc. le garantiza a usted, el comprador/propietario original del producto comprado y usado en los Estados Unidos, que todos los productos estarán libres de defectos en la fabricación original de los materiales o mano de obra desde la fecha original de entrega a través del "período de garantía" específico -- con el período de garantía específico de cada producto establecido aquí.

Nature's Generator garantiza el producto (s) comprado directamente en línea del generador de Nature o del distribuidor/revenautorizado de un generador de Nature (en su embalaje original y con su declaración de garantía en el interior) contra defectos en los materiales y mano de obra cuando se utiliza de acuerdo con el Manual de usuario del generador de Nature del producto, las especificaciones técnicas, Otras guías de productos publicadas durante el período de garantía del producto específico se indica a continuación a partir de la fecha de entrega al comprador/propietario original.

Los recursos exclusivos disponibles bajo esta garantía limitada son la reparación o reemplazo del producto que sólo puede ser realizado por el generador de Nature o un distribuidor aprobado. Para recibir el servicio de garantía, el comprador/propietario debe ponerse en contacto con el servicio de atención al cliente generador de la naturaleza para la determinación de problemas y para asegurarse de que el propietario entiende todos los pasos del procedimiento de servicio.

7.2 Cobertura de garantía limitada para productos específicos:

7.2.1 para los generadores portátiles de todos los generadores de la naturaleza o los generadores eléctricos de toda la casa o paneles solares o turbinas eólicas o accesorios: período de cobertura de garantía para:
Doce (12) meses: embarque, partes y mano de obra.

7.2.2 para el sistema MyGrid 10K integral del generador de Nature: el período de cobertura de la garantía es de treinta y seis (36) meses con:

1-12 meses: envío, piezas y mano de obra
13-36 meses: sólo partes.

7.2.3 para los interruptde transferencia del generador de Nature: cobertura de garantía por sesenta (60) meses con:

1-12 meses: envío, piezas y mano de obra.
13-24 meses: partes y trabajo
25-36 meses: sólo partes
Meses 37 — 60: componentes principales *
(*i.e. Contactores, módulos de control.)

7.3 Normas de garantía:

7.3.1 la garantía comienza en el momento de la entrega del producto al comprador/propietario.

7.3.2 unidad debe estar registrada y tener prueba de compra disponible.

7.3.3 cualquier y todas las reparaciones de garantía aplicables y /o preocupaciones deben ser realizadas y /o dirigidas por el generador de Nature.

7.3.4 el generador de Nature, a su sola discreción, reparará o reemplazacualquier pieza (s) que, tras la evaluación, inspección y prueba por el generador de Nature, se encuentre defectuosa.

7.3.5 cualquier equipo que el comprador/propietario afirme estar defectudebe ser evaluado por el generador de la naturaleza.

7.3.6 los daños a cualquier componente cubierto causados por el uso de una pieza o piezas incompatibles después de la fabricación no estarán cubiertos por esta garantía.

7.3.7 cualquier daño causado por el propietario después de la recepción del producto es responsabilidad del propietario y no está cubierto por esta garantía.

7.3.8 la prueba de funcionamiento de todo el mantenimiento requerido debe estar disponible.

7.3.9 el envío desde y hacia el generador de Nature para el servicio sólo estará cubierto por 12 meses y para un producto con un defecto del fabricante que requiera reparación o reemplazo. Si, después de la inspección, se encuentra que no hay un defecto del fabricante -- sino que un problema fue causado por error del propietario o negligencia de mantenimiento o mal uso -- el envío, las partes y el trabajo de reparación serán pagados por el propietario.

7.4 ¿Qué cubre esta garantía?

Esta garantía limitada está condicionada al uso adecuado del producto.

Durante el período de garantía, si un distribuidor autorizado o un generador de naturalezas determina que la fabricación original de los materiales o la mano de obra del producto es defectu, entonces el generador de naturalezas, a su sola discreción: (1) reparará el producto con partes nuevas o reconstruidas; O (2) reemplazar el producto sin costo alguno con productos o partes nuevos o reconstruidos. Los productos y piezas reemplazadas bajo esta garantía se convierten en propiedad de Natures Generator Inc. y no son devueltos. Si se requiere el servicio de los productos o piezas después de que expire el período de garantía, el propietario del producto debe pagar todos los gastos de envío, piezas y mano de obra. Esta garantía dura mientras el comprador original posea el producto durante el período de garantía. La cobertura de la garantía termina si el propietario original vende o transfiere el producto. En la medida en que lo permita la ley aplicable, el período de garantía no será extendido o renovado o afectado de otra manera debido a un posterior cambio, reparación o reemplazo del producto. El producto o las piezas reparadas o reemplazadas durante el período de garantía estarán garantizados por el resto del período de garantía original a partir de la fecha de reparación o reemplazo.

7.5 Esta garantía no cubre:

7.5.1 costes de mantenimiento normal.

7.5.2 desgaste Normal incluyendo, sin limitaciones, el desgaste de las baterías que son consumibles.

7.5.3 daños al producto causados por accidentes, manipulación o almacenamiento incorrecto.

7.5.4 daños/fallos causados por la operación con cargas o instalaciones distintas de las recomendadas o especificadas por el generador de la naturaleza.

7.5.5 la modificación/mala aplicación no autorizada no estará garantizada a menos que sea autorizada por el generador de la naturaleza por escrito.

7.5.6 daños a cualquier componente cubierto o daños consecucosados por el uso de una (s) parte (s) no compatible (s) o el incumplimiento de las instrucciones del producto.

7.5.7 fallos debidos al desgaste normal, manejo rudo, accidente, mal uso, abuso, negligencia, instalación incorrecta, dimensionamiento incorrecto, así como fuego, agua, rayos u otros actos de la naturaleza.

7.5.8 daños relacionados con la infestación de roedores, reptiles y /o insectos.

7.5.9 diagnósticos o reparaciones realizadas por personas distintas del generador de la naturaleza o no autorizadas por escrito por el generador de la naturaleza.

7.5.10 daños que se produzcan debido a que el producto no se instaló correctamente y /o se instaló en un lugar que no está protegido de la intemperie si así lo indica el manual de usuario del producto.

7.5.11 fallos causados por cualquier fuerza mayor (acto de Dios) o causa externa incluyendo, y sin limitación, fuego, robo, congelación, guerra, relámpago, terremoto, tormenta de viento, granizo, agua, tornado, huracán, o cualquier otro asunto que esté razonablemente más allá del control del fabricante.

7.5.12 gastos de envío asociados con envío expedito.

7.5.13 cualquier daño accidental, consecuente o indirecto causado por defectos en los materiales o la mano de obra, o cualquier retraso en la reparación o sustitución de las piezas defectuosas.

7.5.14 no embalar adecuadamente el producto para su transporte.

7.5.15 causas extremas o externas más allá del control razonable del fabricante incluyendo pero no limitado a fallas o fluctuaciones de sobretensión en la energía eléctrica o fallas en las redes inalámbricas o interferencia electromagnética ambiental o llamaradas solares dañinas.

7.5.16 conexión a una fuente de alimentación inadecuada o cable defectuoso del hogar.

7.5.17 cualquier producto con un período de garantía que haya expirado.

7.6 Tenga en cuenta que la garantía limitada no cubre lo siguiente:

- daños cosméticos
 - daños por fuerza mayor, como caída de rayos, incendio, inundación, etc.
 - accidente
 - mala utilización
 - abuso
 - negligencia
 - modificación de cualquier parte del producto
 - daños por mal funcionamiento o mantenimiento
 - conexión a una fuente de tensión incorrecta o cable eléctrico defectuoso.
 - productos de renovación
 - consumibles, como baterías
 - productos donde el número de serie aplicado de fábrica ha sido alterado o eliminado.
- Para estos casos, el costo de la mano de obra de reparación, más el costo de la (s) pieza (s) a reemplazar, y el envío será cargado al cliente.

La reparación o sustitución según lo dispuesto en esta garantía es el único remedio del comprador/ propietario. NATURES GENERATOR INC no será responsable por ningún daño INCIDENTAL o consecuente por el incumplimiento de cualquier garantía expresa o implícita sobre este producto, incluyendo, pero no limitado a: Pérdida o corrupción de datos, pérdida de uso de productos o funcionalidad, pérdida de negocio, pérdida de contratos, pérdida de beneficios, pérdida de ingresos, pérdida de ahorros previstos, aumento de costos o gastos por cualquier pérdida o daño indirecto o cualquier pérdida consecuente o daño o cualquier pérdida o daño especial con respecto al producto. Todas las garantías expresas e implícitas para el producto incluyendo, pero no limitado a, cualquier garantía implícita están limitadas en duración a los períodos y términos específicos de garantía del producto establecidos en este documento. Ninguna garantía, ya sea expresa o implícita, se aplicará después de que finalice el período de garantía. Esta garantía reemplaza cualquier otra garantía expresa o implícita. Específicamente, generador de la naturaleza NO hace ninguna otra garantía en cuanto a la comerciabilidad y aptitud para un propósito PARTICULAR. El único y exclusivo recurso del comprador y la única responsabilidad del generador de naturalezas será la reparación o reemplazo de la (S) parte (S) como se establece en este documento. En ningún caso el generador de la naturaleza será responsable por cualquier daño INCIDENTAL o consecuente, incluso si tales daños son un resultado directo de la negligencia generador de la naturaleza. Algunas jurisdicciones no permiten la exclusión o limitación de daños incidentales o consecuentes, por lo que la limitación anterior puede no aplicarse a usted. Esta garantía le otorga derechos legales específicos. Usted también puede tener otros derechos bajo la ley aplicable. Excepto según lo dispuesto en esta garantía, generador de la naturaleza además niega cualquier responsabilidad por pérdidas, gastos, inconvenientes, o especiales, indirectos, secundarios, o daños consecuenciales derivados de la propiedad y el uso de los productos. Si cualquier término de garantía se considera ilegal o inaplicable por ley, será excluido de la garantía con la legalidad de los términos restantes no afectados.

Nota: todas las reclamaciones realizadas en virtud de esta garantía limitada se registrarán por los términos establecidos en este documento de garantía y esta garantía limitada sustituye todas las declaraciones de garantía del generador de la naturaleza anterior u otros materiales de MARKETING.

7.7 ¿Cómo obtener el servicio de garantía?

Por favor llame al 1-800-975-7909 de lunes a viernes, 9:00AM a 5:00PM PST. Se le proporcionará un número de autorización de **devolución de mercancía (RMA)** e instrucciones de devolución. Por favor incluya el número RMA en un lugar destacado en la caja de envío e incluya su nombre, número de teléfono y dirección con el producto dentro de la caja. Enviar producto a:

NATURES GENERATOR INC.
3233 Mission Oaks Blvd
Suite
Camarillo, CA 93012

Contact Natures Generator Inc:
Para servicio al cliente por favor llame al 1-800-975-7909

