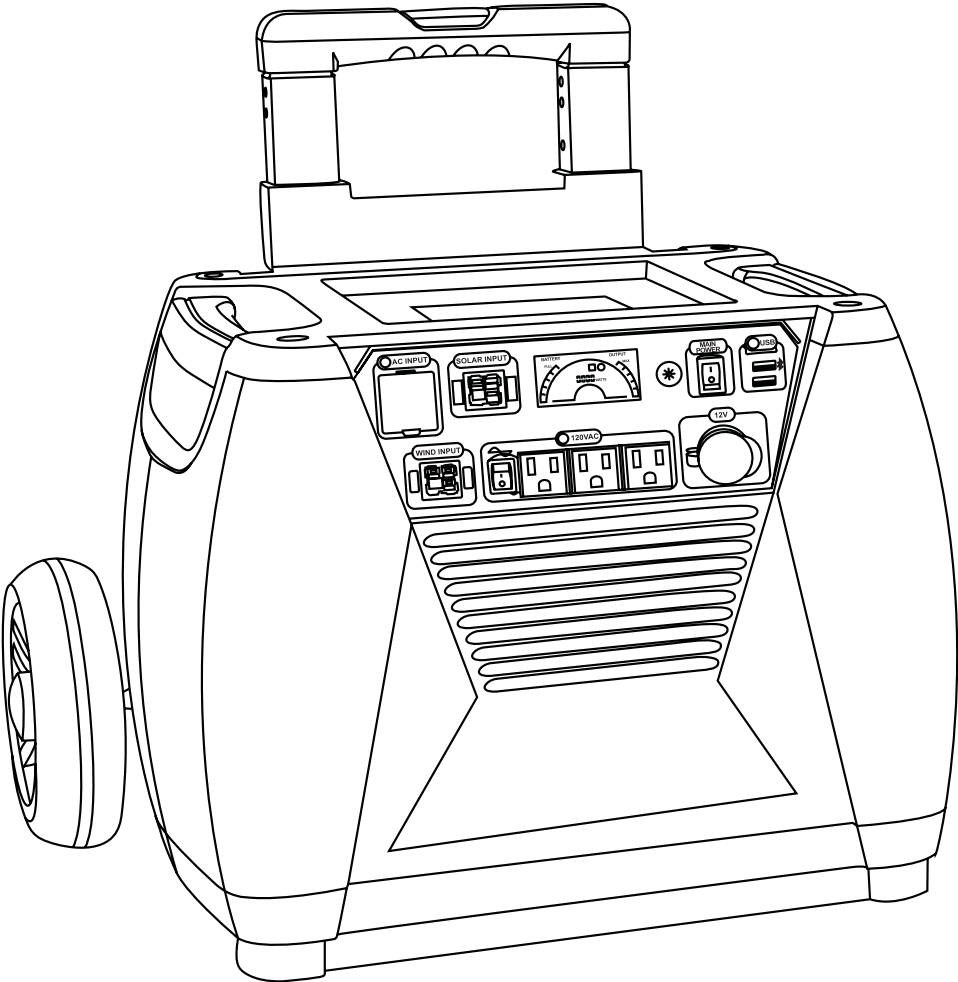


Nature's Generator Elite

User Manual



Nature's Generator Elite

Contents

1.0 Important Safety Instructions	1
1.1 Safety Instructions	1
1.2 General Requirements	1
1.3 Warning	2
1.4 Caution	2
1.5 Battery Safety	3
1.6 Maintenance Instructions	4
1.7 Storage Instruction	4
1.8 INSTRUCTIONS PERTAINING TO RISK OF FIRE, ELECTRIC SHOCK, OR INJURY TO PERSONS	5
1.9 WARNING: GROUNDING INSTRUCTIONS	5
2.0 Introduction	6
2.1 Unpacking Your Nature's Generator	6
2.2 Get to Know Your Nature's Generator Elite	7
3.0 Use Your Nature's Generator Elite	9
3.1 How to Recharge Your Nature's Generator Elite	9
3.2 How to Use Your Nature's Generator Elite	10
3.3 How to Read the LCD Display	11
3.4 How to Expand the Capacity of Your Nature's Generator Elite	12
3.5 How to Maintain and Store Your Nature's Generator Elite	12
3.6 How to Install the Cart to Your Nature's Generator Elite	13
4.0 Troubleshooting	20
5.0 Technical Specifications	21
6.0 Notice	21
7.0 WARRANTY & RETURNS	22
ESPAÑOL	25

1.0 Important Safety Instructions

1.1 Safety Instructions

1.1.1 Read these instructions.

1.1.2 Keep this user manual in a safe and accessible place.

1.1.3 Take note of all warnings to avoid injury or damage.

1.1.4 Follow all instructions.

1.1.5 The safety instructions provided herein are for illustrative purposes that include but are not limited to those listed in this manual. Actual operation shall comply with all applicable safety standards.

1.1.6 Always operate or store the equipment in the conditions specified in this manual.

The installation and ambient conditions must comply with the regulations in the relevant national and local standards.

1.1.7 Avoid unauthorized disassembly, equipment replacement, or modification of software codes.

1.1.8 Nature's Generator shall not be liable for the equipment damages, personal injury, property loss or other damages resulting from the following circumstances:

- Force majeure events such as earthquakes, fires, storms, floods, or mudslides.
- Damages caused by improper handling and installation.
- Damages resulting from inadequate storage conditions as specified in the manual.
- Hardware or data damage caused by customer negligence, improper operation, or intentional actions.
- System damage caused by third parties or customers.
- Adjustments, changes, or removal of labels in violation of this manual.

1.1.9 This product is not intended for use with devices that have high-performance requirements for UPS (Uninterruptible Power Supply), including but not limited to data servers, workstations, medical equipment, and similar devices.

1.2 General Requirements

1.2.1 Do not install, use or maintain this equipment near water.

1.2.2 Do not install, use and maintain this equipment in adverse weather conditions such as lightning, rain, storm, snow and earthquake.

1.2.3 Keep this equipment away from heat sources or high temperatures or direct sunlight.

1.2.4 Do not insert foreign objects into or block any ventilation openings.

1.2.5 Always turn off the power source before starting any electrical work.

1.2.6 Allow a minimum 20 inch clearance from all sides of the equipment for proper air ventilation to dissipate heat.

1.2.7 Do not use near flammable gases or fumes or other equipment that produce a large amount of heat.

1.2.8 Do not store this equipment with flammable or explosive materials.

1.2.9 Do not place the equipment on an unstable or inclined surface.

1.2.10 Use the equipment for its intended purpose and avoid stacking objects on top of it during storage or use.

1.2.11 Keep the system out of the reach of children and pets.

1.2.12 Only use attachments/accessories approved by the manufacturer.

1.2.13 Regularly inspect the equipment and its accessories for damage or deterioration.

1.2.14 Refer all servicing to qualified service personnel. Servicing is required when the equipment has been damaged in any way, such as power-supply cord or plug is damaged, liquid has been spilled or objects have fallen into the equipment, the equipment has been exposed to rain or moisture, has been dropped or does not operate normally.

1.2.15 The equipment should not be exposed to dripping or splashing, and no objects filled with liquids, such as drinking glasses or vases, should be placed on the equipment.

1.2.16 The transportation, wiring, installation and maintenance shall comply with all applicable laws, regulations and standards.

1.2.17 Do not make changes or modifications to the equipment's structure, installation sequence, etc.

1.2.18 Position the system on the flat surface and firmly secure it to a wall or other solid objects.

1.2.19 After installing the equipment, remove the idle package materials from the site such as cartons, foam, plastic, nylon ties, etc.

1.3 Warning

1.3.1 Electric Shock Hazard

Keep away from children. Nature's Generator Elite generates the same potentially lethal AC power as a normal household wall outlet. Avoid working with live electrical components. To reduce the risk of fire or electric shock, do not remove any cover or expose the device to rain or moisture. Do not insert foreign objects into the AC outlets or the ventilation holes.

1.3.2 Explosion Hazard

Do not burn or incinerate this item. This item may explode, causing property damage or personal injury. Do not use near flammable gases or fumes or other equipment that produces large amounts of heat. Allow a minimum 20 inch clearance from all sides of the equipment for proper air ventilation to dissipate heat.

1.3.3 Lightning Hazard

For added protection for your device during a lightning storm, unplug it from the power outlet and disconnect the cables. This helps to prevent property damage and personal injury from lightning and power line surges.

1.3.4 Energy and Burn Hazard

Nature's Generator Elite has lead acid batteries, which can present a risk of burn or fire hazard from high current because of short-circuit.

1.3.5 Replacement Parts

When replacement parts are required, make sure that the service technician uses replacement parts specified by the manufacturer that have the same characteristics as the original part. Unauthorized substitutions may result in fire, electric shock, personal injury, or other hazards.

1.4 Caution

1.4.1 Damage Requiring Service

Stop using the Nature's Generator Elite and refer servicing to qualified service personnel under the following conditions:

- If liquid has been spilled or objects have fallen into your Nature's Generator Elite.
- If your Nature's Generator Elite has been exposed to rain or water.
- If your Nature's Generator Elite has been dropped or damaged in any way.
- When your Nature's Generator Elite exhibits a distinct change in performance.

1.4.2 Cold Weather

Cold temperatures can impact Nature's Generator Elite performance. If you are in area that will be consistently below freezing, we recommend keeping your Nature's Generator in an insulated location.

1.4.3 Recycling and Disposal

Your Nature's Generator Elite may contain materials that are regulated for environmental reasons. Your Nature's Generator Elite also contains materials that can be recycled and reused. To help protect the environment, contact your local authorities for information about disposal or recycling and about finding a recycler in your area before you dispose of your Nature's Generator Elite.

1.4.4 Safety Check

After completing any service or repair to this device, ask the service technician to perform routine safety checks to determine that your Nature's Generator Elite is in correct operating condition.

1.4.5 Servicing

The servicing instructions are for use by qualified service personnel only. To reduce the risk of electric shock, do not perform any servicing other than that contained in the operating instructions unless you are qualified to do so.

1.4.6 Metal Tools

Be very cautious when working with metal tools on or around Nature's Generator Elite. A potential risk exists of dropping a tool that sparks or short circuits batteries or other electrical parts which could cause an explosion.

1.5 Battery Safety

1.5.1 Connect the terminals and ports securely and conduct regular checks.

1.5.2 Prevent the positive and negative terminals of the battery from touching each other or any metal objects to avoid heat generation or electrolyte leakage.

1.5.3 Do not short-circuit the battery terminals. A short circuit can cause a fire.

1.5.4 Do not expose the battery to high temperatures or around heat sources, such as sunlight, fire, transformers, welding machines, grinding machines or heaters.

1.5.5 Do not disassemble, modify or damage the battery to avoid leakage, overheating or fire.

1.5.6 Never use damaged batteries or components. Improper use of damaged batteries or components can damage your device or injure yourself as a result of battery fluid leakage, fire, overheating or explosion.

1.5.7 Do not turn the battery upside down or tilt it.

1.5.8 Safely and carefully dispose of used batteries by the provisions of local laws and regulations. Avoid treating batteries as regular household waste, as improper disposal can lead to environmental pollution.

1.5.9 If you find a leaking or damaged battery pack, contact an authorized battery recycling company for expert assistance.

1.5.10 Avoid contact with spilled liquid or gas if the battery leaks chemicals or odors. Do not approach the battery and contact a professional for disposal.

1.5.11 If you inhale vapors of the battery electrolyte, get fresh air immediately and seek medical attention.

1.5.12 If you have eye contact with the battery electrolyte, wash the eyes with water for at least 15 minutes and seek medical attention.

1.5.13 If you have skin contact with the battery electrolyte, wash the infected area with soap and water for at least 15 minutes and seek medical attention.

1.5.14 If you ingest the battery electrolyte, seek medical attention immediately.

1.5.15 Nature's Generator Elite shall not be liable for the equipment damages, personal injury, property loss or other damages caused by the following reasons:

- Failure to charge the battery after installation leading to battery over-discharge.
- Inadequate maintenance, improper capacity expansion, or prolonged periods of incomplete charging and frequent over-discharging of the battery.
- Failure to charge the battery as required during storage, resulting in capacity loss or irreparable damage.
- Improper operation or connection errors causing battery short-circuits, damage, drops or leaks.
- Battery damage caused by operating conditions or external power parameters that do not meet environmental requirements.
- Users or third parties using the battery in ways not specified in the user manual.

1.6 Maintenance Instructions

1.6.1 Disconnect all the cables and turn off the equipment and wait at least 10 minutes after the equipment is completely off.

1.6.2 Wear personal protective equipment (PPE) during maintenance to avoid damage or electric shock.

1.6.3 Use tools correctly to avoid injury or damage to equipment.

1.6.4 Do not touch energized equipment.

1.6.5 Do not clean the electrical components inside and outside the cabinet with water.

1.6.6 Do not stand, lean on or sit on top of the equipment.

1.6.7 Be careful of high temperatures.

1.6.8 Do not disassemble or damage the battery. The released electrolyte is harmful to your skin and eyes. Avoid contact with electrolyte.

1.6.9 Avoid metal objects such as rings or metal tools to touch the battery.

1.7 Storage Instruction

1.7.1 When not using Nature's Generator Elite for extended periods of time, turn off the power and remove all electrical connections.

1.7.2 Charge the system to 40%-60% SoC before storage.

1.7.3 In order to keep the battery healthy, fully charge and discharge the system every 6 months.

1.7.4 Make sure the place where to store the system is well ventilated and spacious.

1.7.5 Do not store the system in flammable or explosive environments.

1.7.6 Keep the system out of the reach of children and pets.

1.7.7 Do not stack anything on top of the equipment during storage.

1.7.8 Avoid exposing the equipment to rain, humidity or direct sunlight.

1.7.9 Store the product in the conditions described in this manual.

1.8 INSTRUCTIONS PERTAINING TO RISK OF FIRE, ELECTRIC SHOCK, OR INJURY TO PERSONS

IMPORTANT SAFETY INSTRUCTIONS

1.8.1 WARNING – When using this product, basic precautions should always be followed, including the following:

- a. Read all the instructions before using the product.
- b. To reduce the risk of injury, close supervision is necessary when the product is used near children.
- c. Do not put fingers or hands into the product.
- d. Use of an attachment not recommended or sold by power pack manufacturer may result in a risk of fire, electric shock, or injury to persons.
- e. To reduce risk of damage to the electric plug and cord, pull the plug rather than the cord when disconnecting the power pack.
- f. Do not use a battery pack or appliance that is damaged or modified. Damaged or modified batteries may exhibit unpredictable behavior resulting in fire, explosion or risk of injury.
- g. Do not operate the power pack with a damaged cord or plug, or a damaged output cable.
- h. Do not disassemble the power pack, take it to a qualified service person when service or repair is required. Incorrect reassembly may result in a risk of fire or electric shock.
- i. To reduce the risk of electric shock, unplug the power pack from the outlet before attempting any instructed servicing.
- j. When charging the internal battery, work in a well ventilated area and do not restrict ventilation in any way.
- k. Do not expose a power pack to fire or excessive temperature. Exposure to fire or temperature above 130°C (265°F) may cause explosion.
- l. Have servicing performed by a qualified repair person using only identical replacement parts. This will ensure that the safety of the product is maintained.

SAVE THESE INSTRUCTIONS

1.9 WARNING: GROUNDING INSTRUCTIONS

1.9.1 When the local codes require, this product must be grounded. If it should malfunction or breakdown, grounding provides a path of least resistance for electric current to reduce the risk of electric shock. This product is equipped with a cord having an equipment grounding conductor and a grounding plug. The plug must be plugged into an outlet that is properly installed and grounded in accordance with all local codes ordinances.

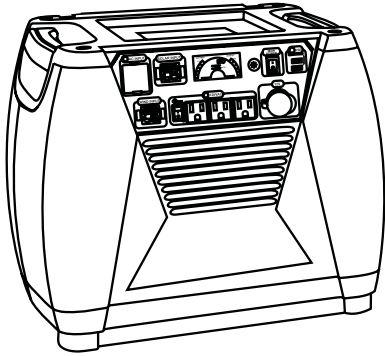
1.9.2 WARNING – Improper connection of the equipment grounding conductor is able to result in a risk of electric shock. Check with a qualified electrician if you are in doubt as to whether the product is properly grounded. Do not modify the plug provided with the product – if it will not fit the outlet, have a proper outlet installed by a qualified electrician.

2.0 Introduction

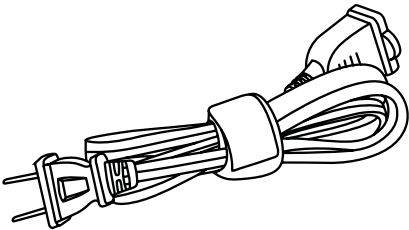
Congratulations on your new Nature's Generator Elite, a state-of-art generator that provides reliable power for emergencies, off grid living, or wherever power is needed.

2.1 Unpacking Your Nature's Generator

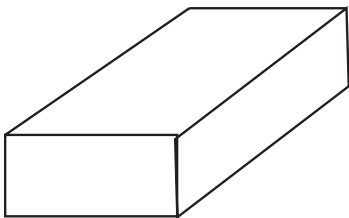
2.1.1 Nature's Generator Elite



2.1.2 AC Power Cord



2.1.3 Cart Box

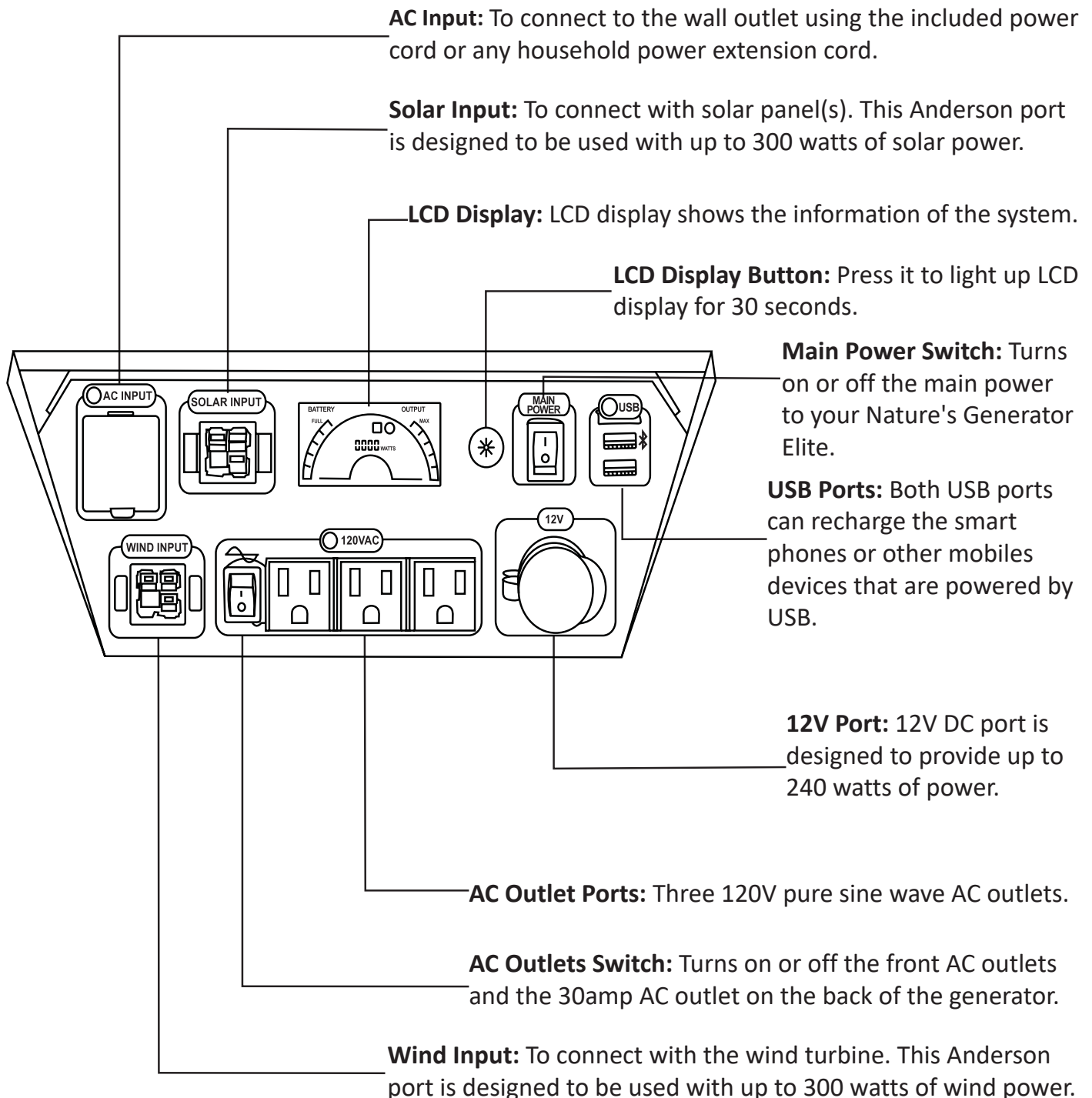


2.1.4 This User Guide

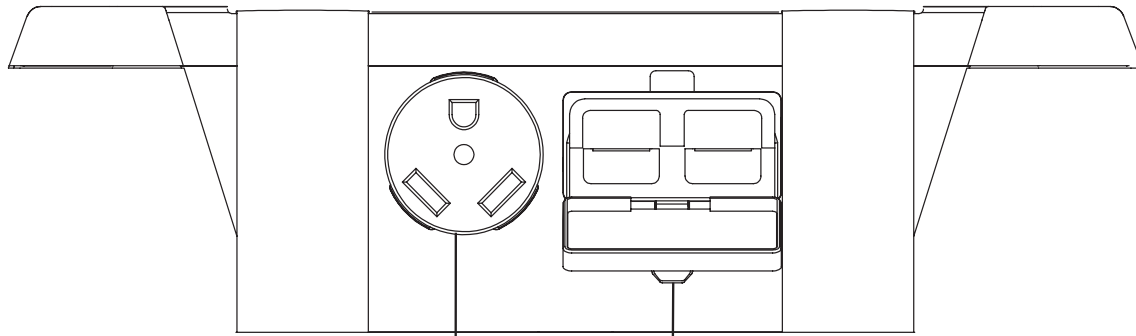


2.2 Get to Know Your Nature's Generator Elite

2.2.1 Front Panel



2.2.2 Back Panel



Expansion Port:

Daisy chaining fuses and daisy chain connector. For use with Nature's Generator Power Pod Elite.

30amp AC Outlet Port:

One 120V 30amp pure sine wave AC outlet.

3.0 Use Your Nature's Generator Elite

3.1 How to Recharge Your Nature's Generator Elite

3.1.1 Recharging from Solar Panels

- a. Place your solar panel where it will get as much direct sunlight as possible. While direct sunlight is always preferred, solar panels should be connected at all times to provide a consistent trickle charge to your battery. Solar panels will also send a charge to your unit while in hazy or overcast skies.
- b. Insert solar panel plug into Solar Input port on the front of your Nature's Generator Elite. You will know it is recharging when LCD display lights up, solar panel icon is illuminated and battery bar starts to register. The battery bar will stop registering when the battery on the LCD display is full or there is not enough power from solar panel.
- c. It takes about 15 to 20 hours to recharge Nature's Generator Elite if using one 100 watt solar panel, and also depends on the strength of the sunlight.
- d. To increase the recharging speed, you can daisy chain multiple solar panels in parallel connection. The Solar Input port can handle up to 300 watts of solar power. In other words, three 100 watt solar panels can be chained in parallel before connecting to the Solar Input port. Visit Naturesgenerator.com for more information about the solar panel.

3.1.2 Recharging from the Wind Turbine

- a. Place your wind turbine where it will get as much wind as possible.
- b. Insert wind turbine plug into Wind Input port on the front of your Nature's Generator Elite. You will know it is recharging when LCD display lights up, wind turbine icon is illuminated and battery bar starts to register. The battery bar will stop registering when the battery on the LCD display is full or there is not enough power from wind turbine.
- c. The recharging speed depends on the wind turbine power rating and the strength of the wind. The Wind Input port can handle up to 300 watts of wind power. Visit Naturesgenerator.com for more information about the wind turbine.

3.1.3 Recharging from AC Power

- a. Locate the power cord in the rear storage compartment on the back of the Nature's Generator.
- b. Insert the power cord to the AC Input Port on the front of the Nature's Generator Elite.
- c. Plug the other end of the power cord into the wall outlet. You will know it is recharging when LCD display lights up, AC input icon is illuminated on the LCD display and battery bar starts registering. The battery bar stops registering when the battery is full and the AC Input light changes from red to green.

3.2 How to Use Your Nature's Generator Elite

3.2.1 Press the Main Power Switch to turn on your Nature's Generator Elite. USB ports will be on automatically when the Main Power Switch is on.

3.2.2 Press the AC Outlet Switch to turn on the AC outlets and 30 amp outlet. When not using the AC outlets, make sure to turn off AC outlet switch to conserve power.

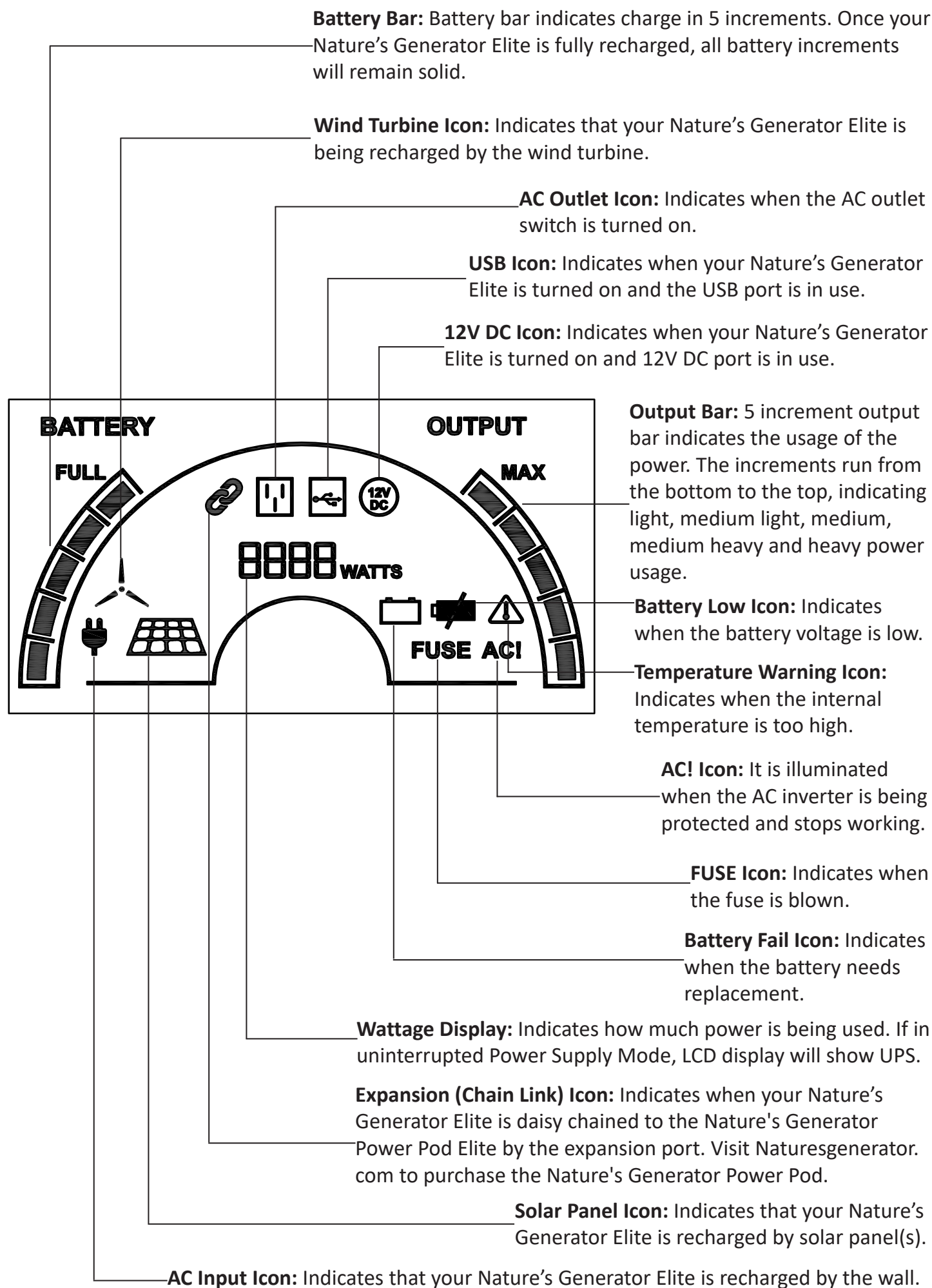
3.2.3 You'll know when the port is turned on when the icon is illuminated on the LCD display.

3.2.4 Plug in any of your devices for power.

3.2.5 Uninterrupted Power Supply (UPS) Mode

- a. You can recharge your Nature's Generator Elite and recharge your devices at the same time.
- b. If you recharge your Nature's Generator Elite at the same time when you power your AC devices from the AC Outlet Ports, your Nature's Generator Elite turns into an Uninterrupted Power Supply. Your AC devices will receive power directly from the AC outlet. If power goes out, your Nature's Generator Elite will already be running and ready to supply power to your connected AC devices.
- c. LCD display shows UPS when it is in UPS mode.

3.3 How to Read the LCD Display



3.4 How to Expand the Capacity of Your Nature's Generator Elite

You can extend the run time of your Nature's Generator Elite by connecting it to the Nature's Generator Power Pod Elite. Visit naturesgenerator.com to purchase a Nature's Generator Power Pod.

3.4.1 Open the top cover of the Nature's Generator Power Pod Elite, locate the expansion cable, and run the expansion cable out of Nature's Generator Power Pod Elite through the opening on the back of the Nature's Generator Power Pod Elite.

3.4.2 Locate Expansion Port on the back of your Nature's Generator Elite and open the rubber cover.

3.4.3 Connect the expansion cable to the expansion port.

3.4.4 The Expansion (Chain Link) Icon will be illuminated on the LCD display to indicate it is connected.

You will experience an increased run time of 100% by adding one Nature's Generator Power Pod Elite, 200% by adding two Nature's Generator Power Pod Elites and 300% by adding three Nature's Generator Power Pod Elites.

3.5 How to Maintain and Store Your Nature's Generator Elite

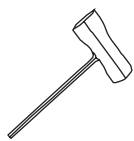
3.5.1 Please recharge your Nature's Generator Elite once every four months and store in a ventilated, cool and dry location. If possible, please connect your Nature's Generator Elite to a power source, like the wall outlet, solar panel or wind turbine while in storage to top off the battery voltage. This keeps the battery healthy and prolongs its life. Failure to maintain Nature's Generator Elite by these steps can result in battery damage which will void the product warranty.

3.5.2 Please clean your Nature's Generator Elite with a soft, lint-free cloth. If your Nature's Generator Elite is especially dirty, moisten a soft, lint-free cloth in a weak detergent solution, squeeze the excess moisture from the cloth, then wipe the cabinet with the cloth. Use a clean cloth to dry your Nature's Generator Elite.

3.6 How to Install the Cart to Your Nature's Generator Elite

3.6.1 What are included:

Tools



Socket Wrench × 2pcs



10mm Wrench × 1pc

Cart Parts



Spacer × 2pcs



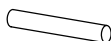
M6 30mm Bolt and Nut × 2pcs



M6 100mm Bolt × 2pcs

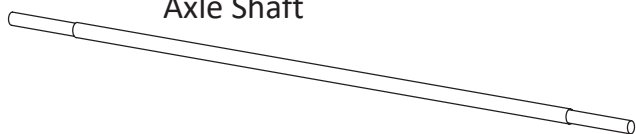


Locknut × 2pcs



Axle Bushing × 2pcs

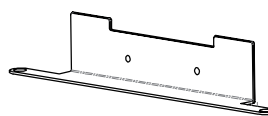
Axle Shaft



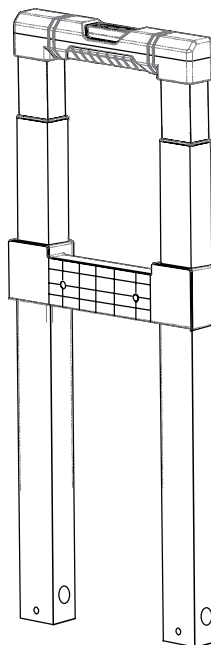
Wheel × 2pcs



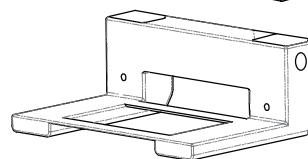
Hub Cap × 2pcs



Generator Bracket

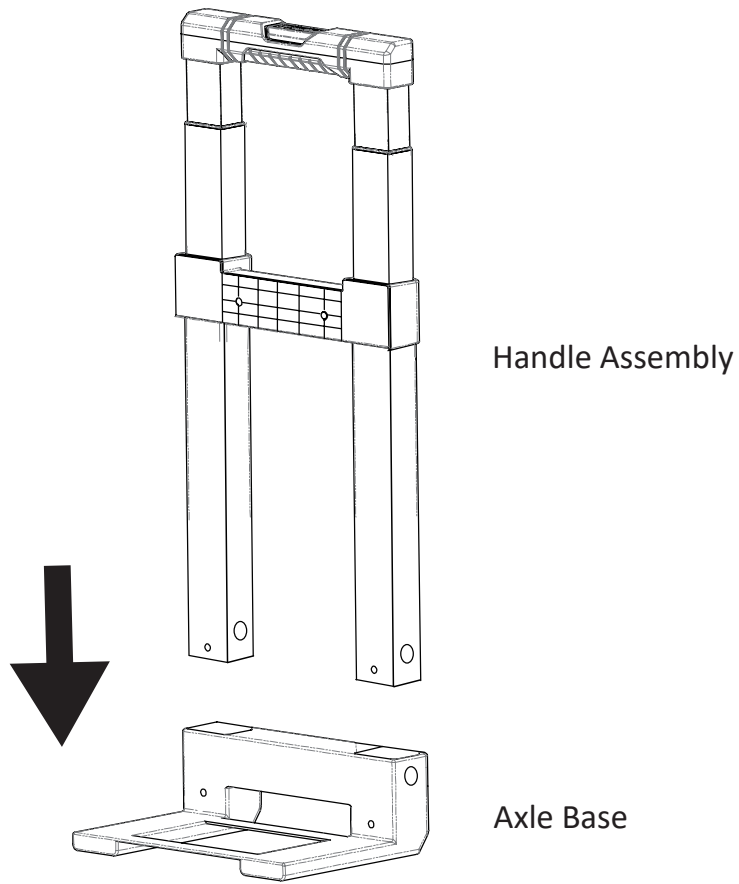


Handle Assembly

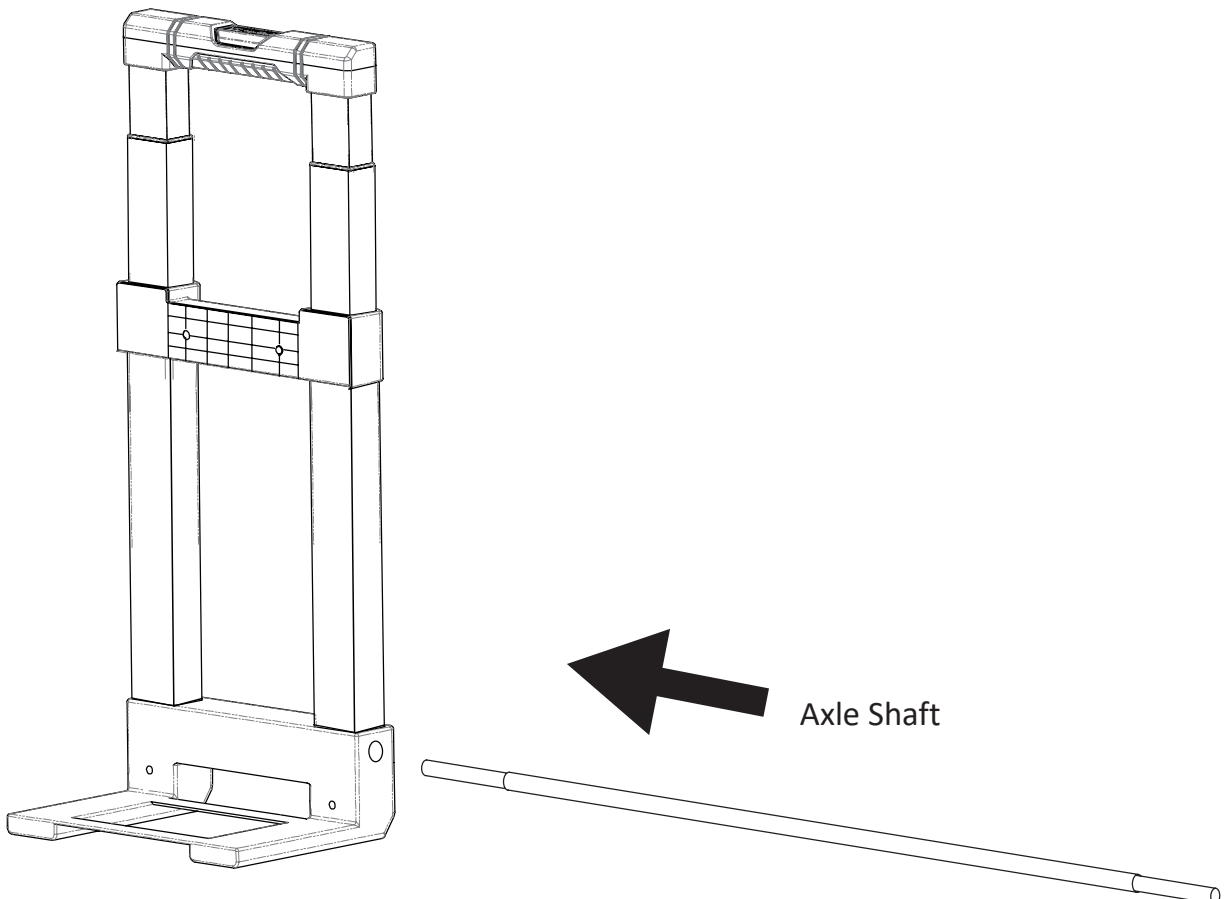


Axle Base

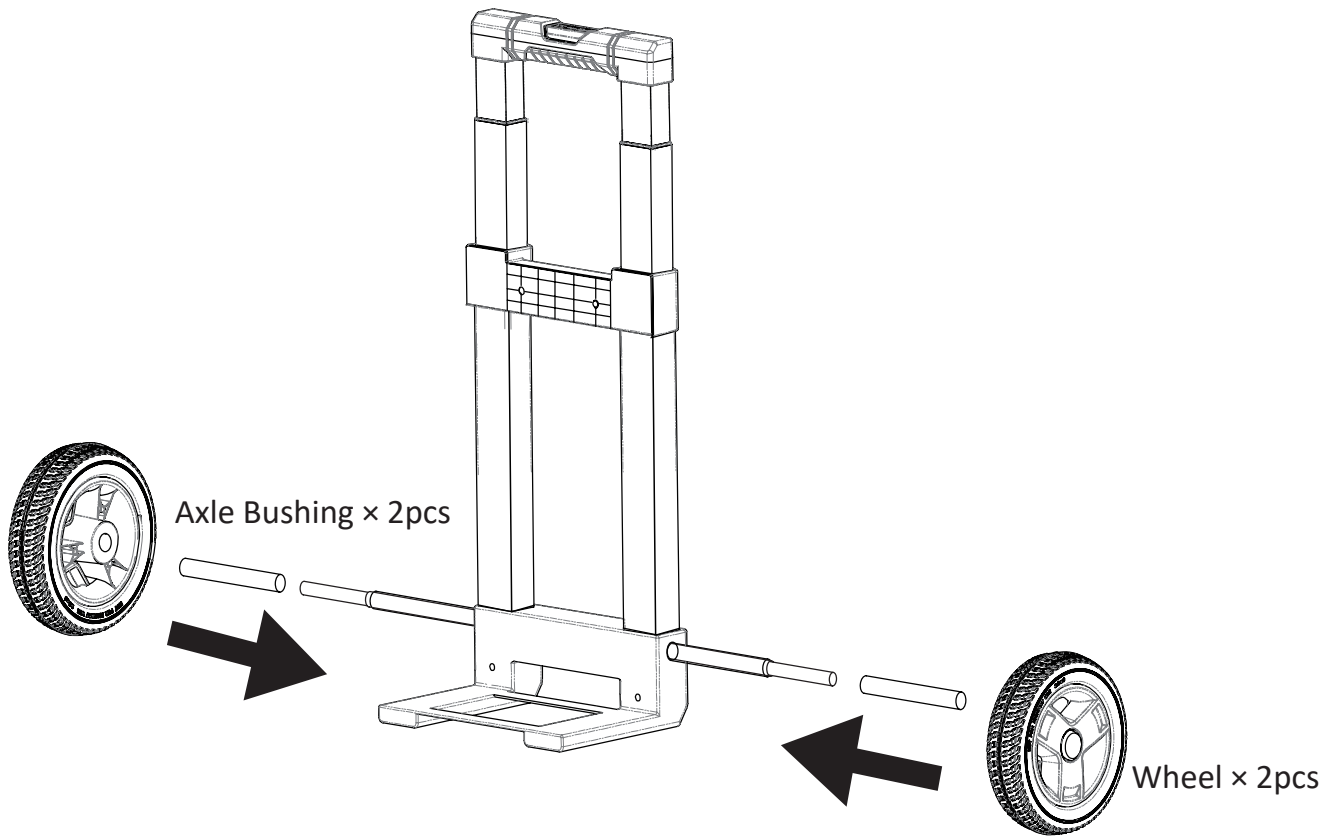
3.6.2 Step 1:



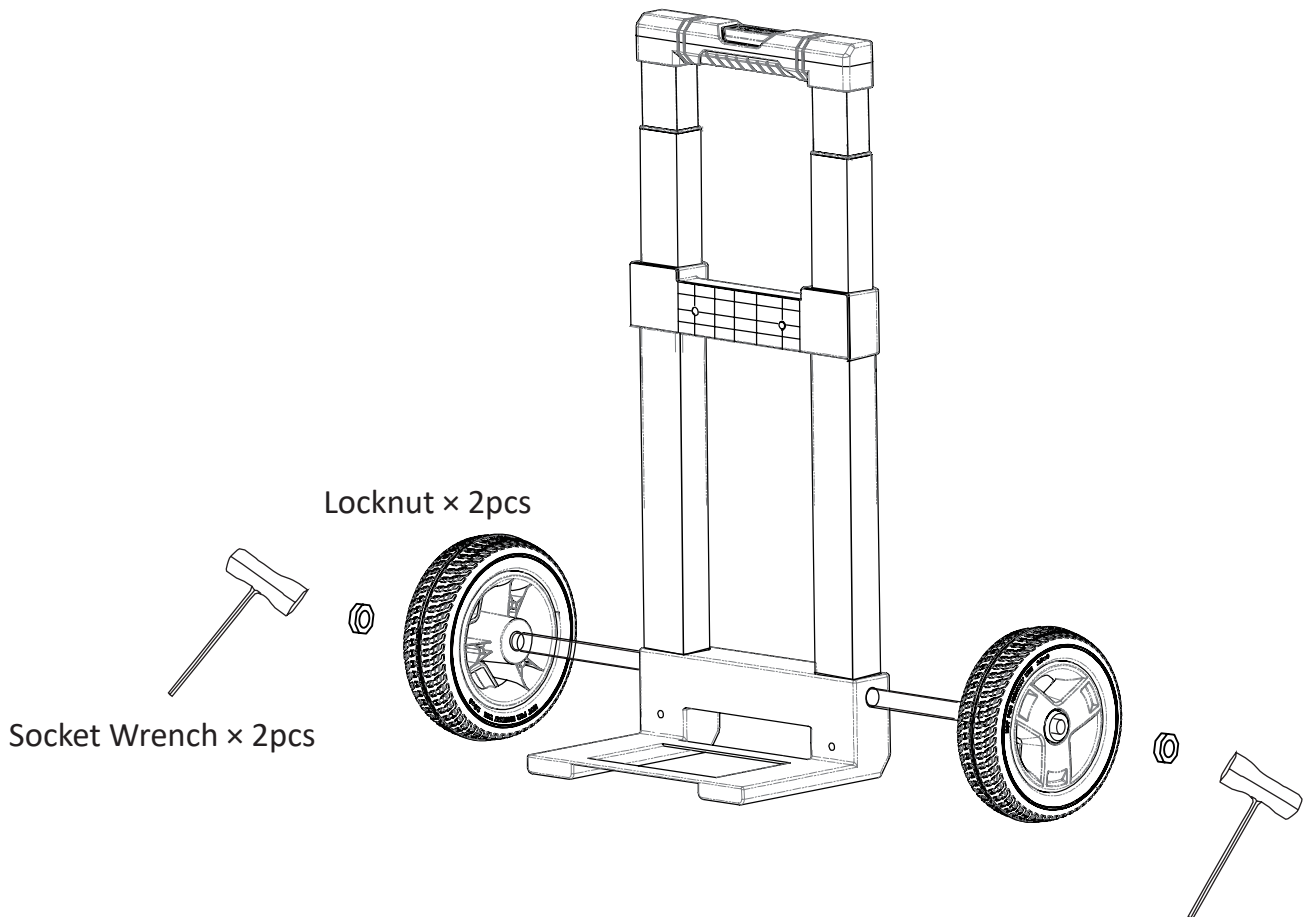
3.6.3 Step 2:



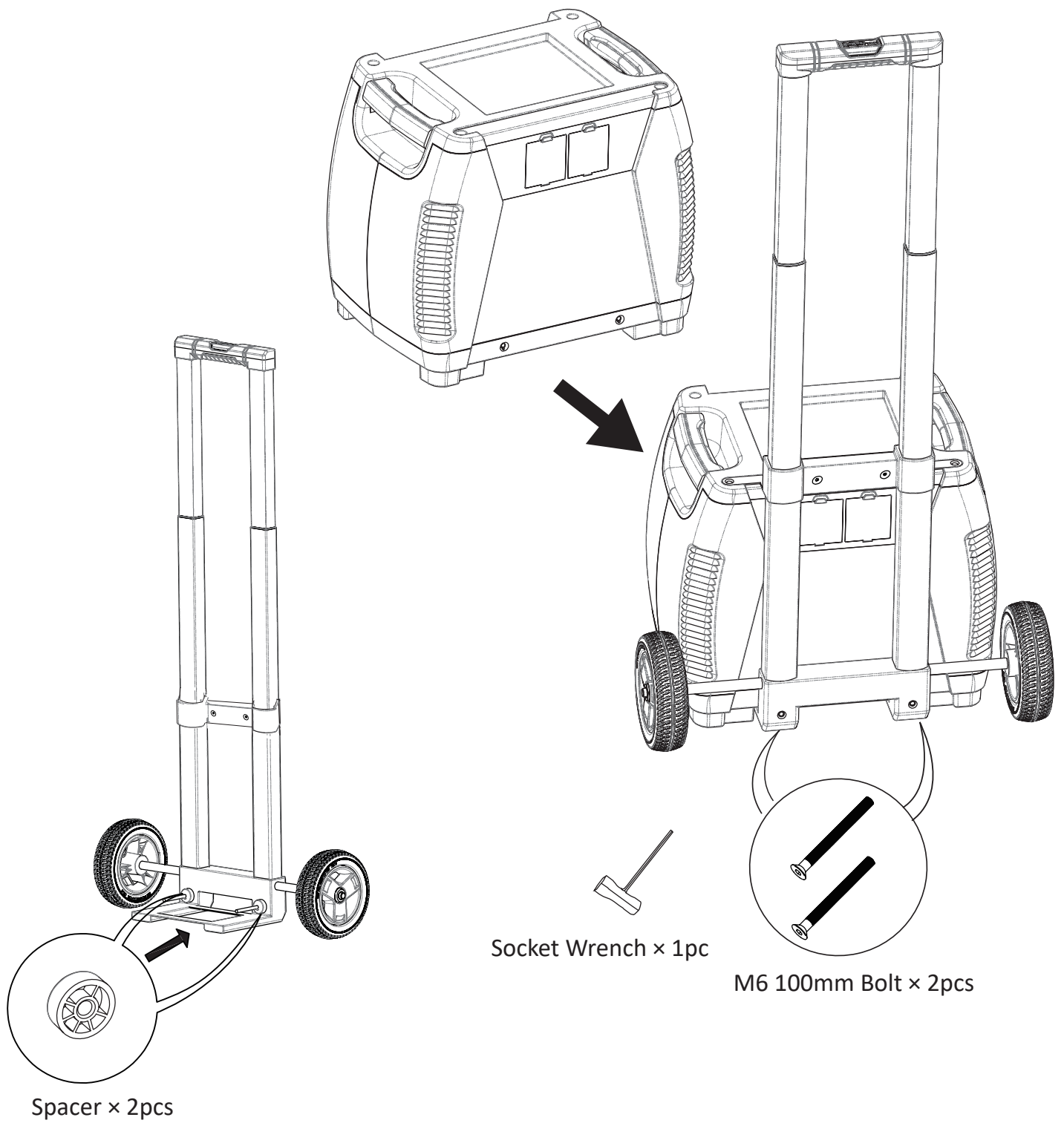
3.6.4 Step 3:



3.6.5 Step 4:

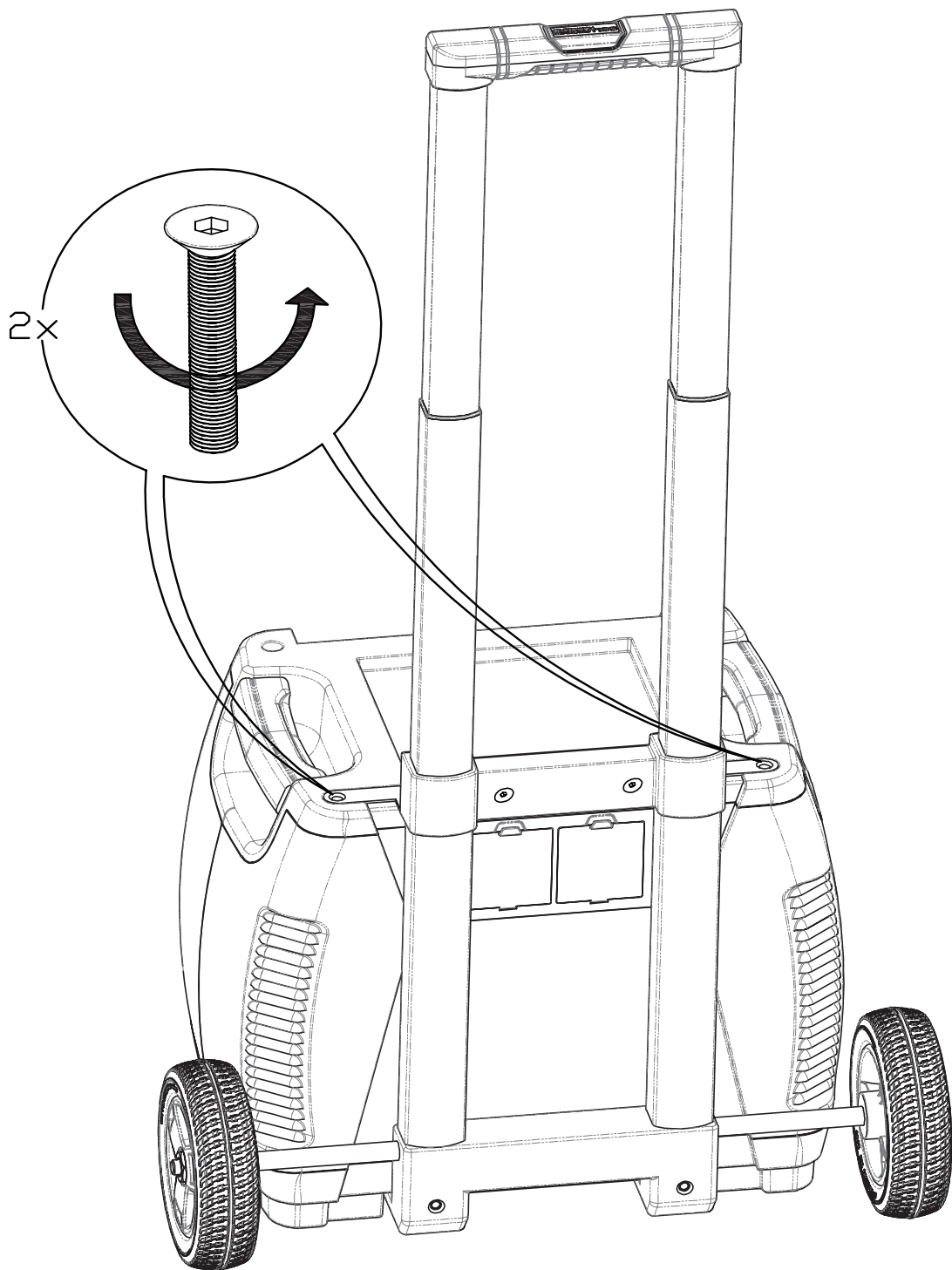


3.6.6 Step 5:



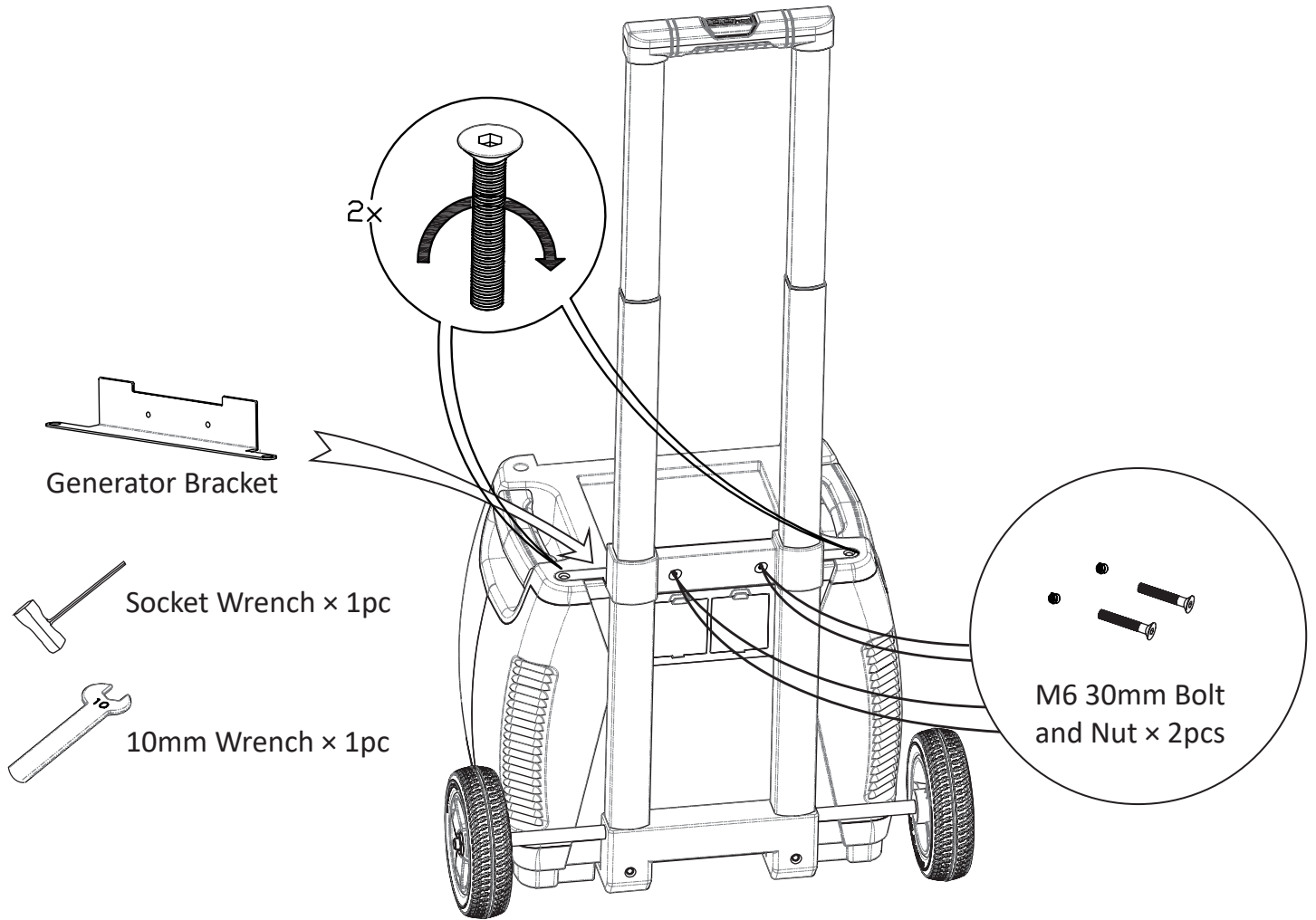
3.6.7 Step 6:

Remove the existing two bolts from the Nature's Generator Elite and set aside for reuse in Step 7.



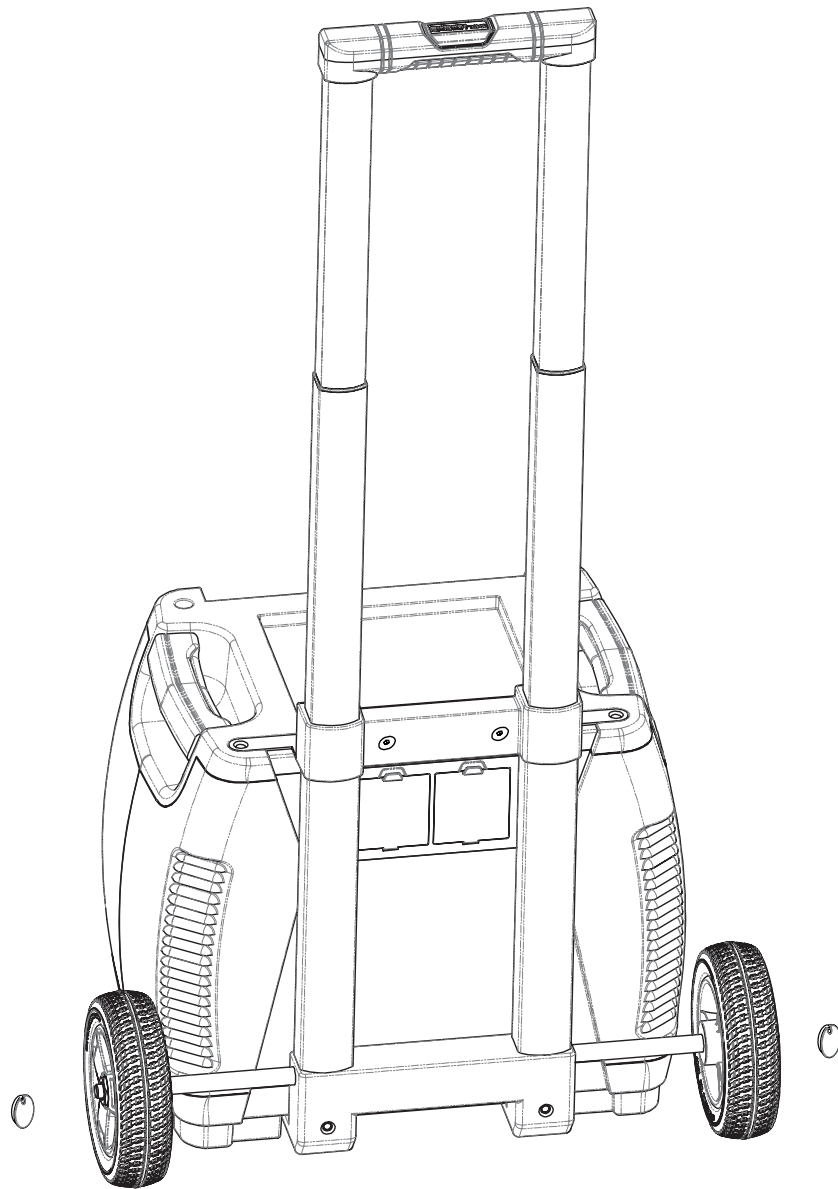
3.6.8 Step 7:

Please reinsert the bolts once Generator Bracket is in place.



3.6.9 Step 8:

After adjusting the distance between the wheel and Nature's Generator Elite, please put the hub caps on the wheels.



Hub Cap × 2pcs

4.0 Troubleshooting

4.1 My Nature's Generator Elite won't charge when I connect my solar panel to it.

Please follow these steps:

1. Make sure the solar panel is pointed directly towards the sun. It is preferred to position the solar panel facing south. The solar panel may produce little or no power if it is positioned in the shade.
2. Check the cable connection on your Nature's Generator Elite and make sure it is properly connected.
3. The LCD lights up but the battery bar is not running. It means the Nature's Generator Elite has been fully recharged by the solar panel or the solar panel does not have high enough voltage to recharge the Nature's Generator Elite.

4.2 My AC device(s) are not powering up from my Nature's Generator Elite.

Please follow these steps:

- 4.2.1 Verify your device is suitable for use with your Nature's Generator Elite. The Nature's Generator Elite AC outputs work only with 120V AC and up to 3600 watts on three outlets combined.
- 4.2.2 Make sure the Main Power Switch is turned on.
- 4.2.3 Check the battery bar. If there are only three bars or less, recharge your Nature's Generator Elite. Some AC devices draw large amounts of power and it is recommended to recharge your Nature's Generator Elite full before heavy use.
- 4.2.4 Make sure the AC outlet switch is turned on. The LED light should be green.
- 4.2.5 If LED light is red, please check the failure icons on the LCD display.
 - a. Battery Fail Icon: replace your battery.
 - b. Battery Low Icon: recharge your battery before use.
 - c. Temperature Warning Icon: The internal temperature is too high. Please let it cool down before trying to use again.
 - d. FUSE Icon: Replace the fuses.
 - e. AC! Icon: The AC inverter is being protected. Unplug your AC device, turn off AC outlet switch and back on to try it again.

4.3 My Nature's Generator Elite battery drains fast.

Please follow these steps.

- 4.3.1 Check the wattage of your AC device(s). Some devices like a hair dryer, microwave or vacuum draw large amounts of power and thus the battery drains fast. Please always monitor the wattage output information on the LCD display.
- 4.3.2 When your AC device is not in use, turn off AC outlets of your Nature's Generator Elite to conserve power. The AC outlets consume a considerable amount of power while being in standby mode.
- 4.3.3 When Nature's Generator Elite is not in use, turn off the Main Power Switch and to eliminate unnecessary battery drainage to shut off the LCD display and USB ports.

5.0 Technical Specifications

Battery:

Type: AGM Sealed Lead Acid

Capacity: 100Ah (1200Wh)

Self-discharge: Recommend to recharge every 4 months

Inverter:

Output Power: 3600 watt max / 2880 continuous

Output voltage: 120V

Output frequency: 60Hz

Ports:

USB Port: 5V, up to 3A (15W)

12V DC Port: up to 20A (240W max)

Expansion Port: 350A fuse

Charges:

AC Charger: 190W

AC Charger Indicator: red (charging) and green (charged)

Solar Charger: 300watt

Wind Charger: 300watt

General:

Dimensions: 18 x 12 x 15 in (46 x 30 x 38 cm) without cart

23 x 17 x 22 in (58 x 43 x 56 cm) with cart

Operating temperature: 32-104 °F (0-40 °C)

Storage Temperature: 23–111 °F (-5–45 °C)

Weight: 120 lbs (54.4 kg)

6.0 Notice

Nature's Generator products, services, and features are subject to the agreed-upon terms and conditions during purchase. Please note that some products, services, or features described in this manual may not be available under your purchase contract. Unless otherwise specified in the contract, Nature's Generator Elite makes no representations or warranties of any kind, express or implied, with respect to the contents of this manual.

The contents of this manual are subject to change without notice. Please get the latest version from: <https://naturesgenerator.com/pages/help-center> If you have any questions or concerns about this manual, please contact Nature's Generator support for further assistance.

7.0 WARRANTY & RETURNS

7.1 Limited Warranty

Natures Generator Inc. warrants to you, the original purchaser/owner of the product purchased and used in the United States, that all products shall be free of defects in the original manufacture of the materials or workmanship from the original date of delivery through the specific "Warranty Period" -- with each product's warranty period specifics set forth herein.

Nature's Generator warrants the product(s) purchased directly online from Nature's Generator or from a Nature's Generator authorized dealer/reseller (in its original packaging and with its warranty statement inside) against defects in materials and workmanship when used in accordance with the product's Nature's Generator User Manual, technical specifications, and other Product published guidelines during the specific product's Warranty Period stated below starting from the date of delivery to the original purchaser/owner.

The exclusive remedies available under this Limited Warranty are product repair or replacement which can only be performed by Nature's Generator or an approved dealer. To receive warranty service, the purchaser/owner must contact Nature's Generator customer service for issue-determining troubleshooting and to ensure the owner understands all of the service procedure steps.

7.2 Limited Warranty Coverage for Specified Products:

7.2.1 For all Nature's Generator Portable Generators or the Whole-home Powerhouse Generators or Solar Panels or Wind Turbines or Accessories: Warranty Coverage Period for:
Twelve (12) Months: Shipping, Parts and Labor.

7.2.2 For Nature's Generator Whole-home MyGrid 10K System: Warranty Coverage Period is for Thirty-six (36) months with:
Months 1-12: Shipping, Parts & Labor
Months 13-36: Parts Only.

7.2.3 For Nature's Generator Transfer Switches: Warranty Coverage for sixty (60) Months with:
Months 1-12: Shipping, Parts and Labor.
Months 13-24: Parts & Labor
Months 25-36: Parts Only
Months 37-60: Major Parts Component*
(*i.e. Contactors, Controlling Modules.)

7.3 Warranty Guidelines:

7.3.1 Warranty begins upon delivery of the product to the purchaser/owner.

7.3.2 Unit must be registered and have proof of purchase available.

7.3.3 Any and all applicable warranty repairs and/or concerns must be performed and/or addressed by Nature's Generator.

7.3.4 Nature's Generator will, at its sole discretion, repair or replace any part(s) which, upon evaluation, inspection, and testing by Nature's Generator is found to be defective.

7.3.5 Any equipment the purchaser/owner claims to be defective must be evaluated by Nature's Generator.

7.3.6 Damage to any covered components caused by use of an after-manufacture incompatible part or parts will not be covered by this warranty.

7.3.7 Any damage caused by the owner after receipt of the product is the responsibility of the owner and is not covered by this warranty.

7.3.8 Proof of performance of all required maintenance must be available.

7.3.9 Shipping to and from Nature's Generator for service will only be covered for 12 months and for a product with a manufacturer's defect requiring repair or replacement. If, upon inspection, it is found there is not a manufacturer's defect -- but instead an issue was caused by owner error or maintenance negligence or misuse -- the shipping, parts, and repair labor will be paid by the owner.

7.4 What does this Warranty Cover?

This Limited Warranty is conditioned on proper use of the product.

During the Warranty Period, if the original manufacture of the materials or workmanship of the product is determined to be defective by an authorized dealer or Natures Generator, then Natures Generator will at its sole discretion: (1) repair the product with new or rebuilt parts; or (2) replace the product at no charge with new or rebuilt comparable products or parts. Products and parts replaced under this warranty become the property of Natures Generator Inc. and are not returned. If service of products or parts are required after the Warranty Period expires, the product owner must pay all shipping, parts and labor charges. This warranty lasts as long as the original purchaser owns the product during the Warranty Period. Warranty coverage terminates if the original owner sells or otherwise transfers the product. As far as applicable law allows, the Warranty Period will not be extended or renewed or otherwise affected due to subsequent exchange, repair, or replacement of the Product. Product or part(s) repaired or replaced during the Warranty Period will be warranted for the remainder of the original Warranty Period from the date of repair or replacement.

7.5 The following will NOT be covered by this warranty:

7.5.1 Costs of normal maintenance.

7.5.2 Normal wear and tear including, without limitations, wear and tear of batteries which are consumables.

7.5.3 Damage to product caused by accidents, handling, or incorrect storage.

7.5.4 Damage/failures caused by operation with loads or installations other than what is recommended or specified by Nature's Generator.

7.5.5 Unauthorized modification/misapplication will not be warranted unless authorized by Nature's Generator in writing.

7.5.6 Damage to any covered components or consequential damages caused by the use of a non-compatible part(s) or noncompliance with Product instructions.

7.5.7 Failures due to normal wear and tear, rough handling, accident, misuse, abuse, negligence, improper installation, incorrect sizing, as well as fire, water, lightning or other acts of nature.

7.5.8 Damage related to rodent, reptile, and/or insect infestation.

7.5.9 Diagnostics or repairs performed by individuals other than Nature's Generator or not authorized in writing by Nature's Generator.

7.5.10 Damage that occurs because the product was not properly installed and/or was installed in a location that is not protected from weather if the product's user manual so directs.

7.5.11 Failures caused by any force majeure (act of God) or external cause including, and without limitation, fire, theft, freezing, war, lightning, earthquake, windstorm, hail, water, tornado, hurricane, or any other matters which are reasonably beyond the manufacturer's control.

7.5.12 Shipping costs associated with expedited shipping.

7.5.13 Any incidental, consequential, or indirect damages caused by defects in materials or workmanship, or any delay in repair or replacement of the defective part(s).

7.5.14 Failure to adequately package the product for transportation.

7.5.15 Extreme or external causes beyond the manufacturer's reasonable control including but not limited to failures or surge fluctuations in electrical power or failures to wireless networks or environmental electromagnetic interference or damaging solar flares.

7.5.16 Connection to improper power supply or faulty home wiring.

7.5.17 Any product with a warranty period that has expired.

7.6 Please note that the Limited Warranty does not cover the following:

- Cosmetic damage
- Damage due to force majeure, such as lightning strikes, fire, flood, etc..
- Accident
- Misuse
- Abuse
- Negligence
- Modification of any part of the product
- Damage due to incorrect operation or maintenance

- Connection to an incorrect voltage supply or faulty house wiring
- Refurbished products
- Consumables, such as batteries
- Products where the factory applied serial number has been altered or removed.

For these cases, repair labor fee, plus the cost of the part(s) to be replaced, and shipping will be charged to the customer.

REPAIR OR REPLACEMENT AS PROVIDED UNDER THIS WARRANTY IS THE PURCHASER/OWNER'S EXCLUSIVE REMEDY. NATURES GENERATOR INC SHALL NOT BE LIABLE FOR ANY INCIDENTAL OR CONSEQUENTIAL DAMAGES FOR THE BREACH OF ANY EXPRESS OR IMPLIED WARRANTY ON THIS PRODUCT, INCLUDING, BUT NOT LIMITED TO: LOSS OR CORRUPTION OF DATA, LOSS OF USE OF PRODUCTS OR FUNCTIONALITY, LOSS OF BUSINESS, LOSS OF CONTRACTS, LOSS OF PROFITS, LOSS OF REVENUES, LOSS OF ANTICIPATED SAVINGS, INCREASED COSTS OR EXPENSES FOR ANY INDIRECT LOSS OR DAMAGE OR ANY CONSEQUENTIAL LOSS OR DAMAGE OR ANY SPECIAL LOSS OR DAMAGE WITH RESPECT TO THE PRODUCT. ALL EXPRESS AND IMPLIED WARRANTIES FOR THE PRODUCT INCLUDING, BUT NOT LIMITED TO, ANY IMPLIED WARRANTIES ARE LIMITED IN DURATION TO THE SPECIFIC PRODUCT WARRANTY PERIODS AND TERMS SET FORTH HEREIN. NO WARRANTIES, WHETHER EXPRESS OR IMPLIED, WILL APPLY AFTER THE WARRANTY PERIOD ENDS. THIS WARRANTY SUPERSEDES ALL OTHER WARRANTIES EXPRESS OR IMPLIED. SPECIFICALLY, NATURE'S GENERATOR MAKES NO OTHER WARRANTIES AS TO THE MERCHANTABILITY AND FITNESS FOR A PARTICULAR PURPOSE. PURCHASER'S SOLE AND EXCLUSIVE REMEDY AND NATURES GENERATOR'S ONLY LIABILITY SHALL BE THE REPAIR OR REPLACEMENT OF PART(S) AS SET FORTH HEREIN. IN NO EVENT SHALL NATURE'S GENERATOR BE LIABLE FOR ANY INCIDENTAL OR CONSEQUENTIAL DAMAGES, EVEN IF SUCH DAMAGES ARE A DIRECT RESULT OF NATURE'S GENERATOR NEGLIGENCE. SOME JURISDICTIONS DO NOT ALLOW THE EXCLUSION OR LIMITATION OF INCIDENTAL OR CONSEQUENTIAL DAMAGES, SO THE ABOVE LIMITATION MAY NOT APPLY TO YOU. THIS WARRANTY GIVES YOU SPECIFIC LEGAL RIGHTS. YOU ALSO MAY HAVE OTHER RIGHTS UNDER APPLICABLE LAW. EXCEPT AS PROVIDED IN THIS WARRANTY, NATURE'S GENERATOR FURTHER DISCLAIMS ANY RESPONSIBILITIES FOR LOSSES, EXPENSES, INCONVENIENCES, OR SPECIAL, INDIRECT, SECONDARY, OR CONSEQUENTIAL DAMAGES ARISING FROM OWNERSHIP AND USE OF THE PRODUCTS. IF ANY WARRANTY TERM IS HELD TO BE ILLEGAL OR UNENFORCEABLE BY LAW, IT WILL BE EXCLUDED FROM THE WARRANTY WITH THE LEGALITY OF THE REMAINING TERMS NOT AFFECTED.

PLEASE NOTE: ALL CLAIMS MADE UNDER THIS LIMITED WARRANTY WILL BE GOVERNED BY THE TERMS SET FORTH IN THIS WARRANTY DOCUMENT AND THIS LIMITED WARRANTY SUPERCEDES ALL PREVIOUS NATURE'S GENERATOR WARRANTY STATEMENTS OR OTHER MARKETING MATERIALS.

7.7 How to Obtain Warranty Service?

Please call: 1-800-975-7909 Monday through Friday, 9:00AM to 5:00PM PST. You will be provided with a **Return Merchandise Authorization (RMA)** number and return instructions. Please include the RMA number prominently displayed on the shipping box and include your name, phone number and address with the product inside the box. Send product to:

NATURES GENERATOR INC
3233 Mission Oaks Blvd
Suite N
Camarillo, CA 93012

Contact Natures Generator Inc:
For customer service please call 1-800-975-7909

Nature's Generator Elite

Contenidos

1.0 Instrucciones importantes de seguridad.....	25
1.1 Instrucciones de seguridad.....	25
1.2 Requisitos generales.....	25
1.3 Advertencia.....	26
1.4 Precaución.....	26
1.5 Seguridad de la batería.....	27
1.6 Instrucciones de mantenimiento.....	28
1.7 Instrucciones de almacenamiento.....	28
1.8 Instrucciones relativas al riesgo de incendio, descarga eléctrica, o lesiones a las personas Instrucciones de seguridad importantes.....	29
1.9 Advertencia: instrucciones de puesta a tierra.....	29
2.0 Introducción.....	30
2.1 Desempaquetel generador de tu naturaleza.....	30
2.2 Llegar a conocer la élite generador de su naturaleza.....	31
3.0 Utiliza Nature's Generator	33
3.1 Cómo recarel generador de tu naturaleza.....	33
3.2 Cómo utilizar el generador de tu naturaleza.....	34
3.3 Cómo leer la pantalla LCD.....	35
3.4 Cómo expandir la capacidad del generador de tu naturaleza.....	36
3.5 Cómo mantener y almacenar el generador de su naturaleza.....	36
3.6 Cómo instalar el carro en el generador de tu naturaleza.....	37
4.0 Solución de problemas.....	44
5.0 Especificaciones técnicas.....	45
6.0 Notificación.....	45
7.0 Garantía y devolu.....	45

1.0 Instrucciones importantes de seguridad

1.1 Instrucciones de seguridad

1.1.1 Leer estas instrucciones.

1.1.2 Mantenga este manual de usuario en un lugar seguro y accesible.

1.1.3 Tome nota de todas las advertencias para evitar lesiones o daños.

1.1.4 Siga todas las instrucciones.

1.1.5 Las instrucciones de seguridad aquí provistas son para propósitos ilustrque incluyen pero no se limitan a los enumerados en este manual. La operación real deberá cumplir con todas las normas de seguridad aplicables.

1.1.6 Operar o almacenar siempre el equipo en las condiciones especificadas en este manual. La instalación y las condiciones ambientales deben cumplir con las regulaciones en las normas nacionales y locales pertinentes.

1.1.7 Evite el desmontaje no autorizado, el reemplazo del equipo o la modificación de códigos de software.

1.1.8 Nature's Generator no será responsable por los daños al equipo, lesiones personales, pérdida de propiedad u otros daños resultantes de las siguientes circunstancias:

- Eventos de fuerza mayor como terremotos, incendios, tormentas, inundaciones o deslizamientos de tierra.
- Daños causados por un manejo e instalación inadecuados.
- Daños resultantes de condiciones de almacenamiento inadecuadas como se especifica en el manual.
- Daños en Hardware o datos causados por negligencia del cliente, funcionamiento incorrecto o acciones intencionales.
- Daños al sistema causados por terceros o clientes.
- Ajustes, cambios o eliminación de etiquetas en violación de este manual.

1.1.9 Este producto no está diseñado para su uso con dispositivos que tienen requisitos de alto rendimiento para UPS (alimentación ininterrumpida), incluyendo pero no limitado a servidores de datos, estaciones de trabajo, equipos médicos y dispositivos similares.

1.2 Requisitos generales

1.2.1 No instalar, utilizar o mantener este equipo cerca del agua.

1.2.2 No instalar, utilizar y mantener este equipo en condiciones climáticas adversas como rayos, lluvias, tormentas, nieve y terremotos.

1.2.3 Mantenga este equipo alejado de fuentes de calor o de altas temperaturas o de la luz solar directa.

1.2.4 No introduzca objetos extraños en las aberturas de ventilación ni las bloquee.

1.2.5 Siempre apague la fuente de alimentación antes de iniciar cualquier trabajo eléctrico.

1.2.6 Permitir una distancia mínima de 20 pulgadas desde todos los lados del equipo para una ventilación de aire adecuada para disipar el calor.

1.2.7 No utilice cerca de gases o humos inflamables u otro equipo que produzca una gran cantidad de calor.

1.2.8 No almacene este equipo con materiales inflamables o explosivos.

1.2.9 No coloque el equipo sobre una superficie inestable o inclinada.

1.2.10 Use el equipo para su propósito previsto y evite apilar objetos encima de él durante el almacenamiento o uso.

1.2.11 Mantenga el sistema fuera del alcance de los niños y las mascotas.

1.2.12 Utilice únicamente los accesorios/accesorios aprobados por el fabricante.

1.2.13 Inspeccionar regularmente el equipo y sus accesorios para detectar daños o deterioro.

1.2.14 Remitir todos los servicios a personal de servicio cualificado. El mantenimiento es necesario cuando el equipo ha sido dañado de cualquier manera, como el cable de alimentación o enchufe está dañado, se ha derramado líquido u objetos han caído en el equipo, el equipo ha estado expuesto a la lluvia o la humedad, se ha caído o no funciona normalmente.

1.2.15 El equipo no debe estar expuesto a gotas o salpicaduras, y no se deben colocar objetos llenos de líquidos, como vasos de bebida o vasos de flores, sobre el equipo.

1.2.16 El transporte, el cableado, la instalación y el mantenimiento deben cumplir con todas las leyes, regulaciones y normas aplicables.

1.2.17 No realice cambios o modificaciones a la estructura, el orden de instalación, etc., del equipo.

1.2.18 Coloque el sistema en una superficie plana y fíjelo firmemente a una pared u otros objetos sólidos.

1.2.19 Después de instalar el equipo, retire los materiales de embalaje sobrantes del sitio, como cartones, espuma, plástico, atrapasables de nylon, etc.

1.3 Advertencia

1.3.1 Riesgo de descarga eléctrica

Mantener alejado de los niños. Nature's Generator Elite genera la misma potencia AC potencialmente letal que una toma de corriente eléctrica normal. Evite trabajar con componentes eléctricos en funcionamiento. Para reducir el riesgo de incendio o descarga eléctrica, no retire ninguna cubierta ni esponja el dispositivo a la lluvia o la humedad. No introduzca objetos extraños en las salidas de ca o en los orificios de ventilación.

1.3.2 Riesgo de explosión

No quemar o incinerar este artículo. Este artículo puede explotar, causando daños a la propiedad o lesiones personales. No utilice cerca de gases o humos inflamables u otro equipo que produzca grandes cantidades de calor. Permitir una distancia mínima de 20 pulgadas desde todos los lados del equipo para una ventilación de aire adecuada para disipar el calor.

1.3.3 Rayo de rayo

Para una mayor protección para su dispositivo durante una tormenta eléctrica, desconecte de la toma de corriente y desconecte los cables. Esto ayuda a prevenir daños a la propiedad y lesiones personales por rayos y sobretensiones de la línea eléctrica.

1.3.4 Peligro de energía y quema

El generador de la naturaleza tiene baterías de plomo ácido, que pueden presentar un riesgo de quemar o peligro de incendio de alta corriente debido a cortocircuito.

1.3.5 Piezas de repuesto

Cuando se requieran piezas de repuesto, asegúrese de que el técnico de servicio utilice piezas de repuesto especificadas por el fabricante que tengan las mismas características que la pieza original. Las sustituciones no autorizadas pueden resultar en incendios, descargas eléctricas, lesiones personales u otros peligros.

1.4 Precaución

1.4.1 Daños que requieren servicio

Deje de usar el elite generador de la naturaleza y refiera el servicio al personal de servicio calificado bajo las condiciones siguientes:

Si se ha derramado líquido u objetos han caído en el elite generador de su naturaleza.

Si el elite generador de su naturaleza ha estado expuesto a la lluvia o al agua.

Si el elite generador de su naturaleza se ha caído o dañado de alguna manera.
Cuando el elite generador de su naturaleza exhibe un cambio distinto en el rendimiento.

1.4.2 Clima frío

Las temperaturas frías pueden afectar el rendimiento del generador de la naturaleza. Si usted está en el área que estará constantemente por debajo de cero, recomendamos mantener el generador de su naturaleza en un lugar aislado.

1.4.3 Reciclado y eliminación

El generador de su naturaleza puede contener materiales que están regulados por razones ambientales. El generador de tu naturaleza también contiene materiales que pueden ser reciclados y reutilizados. Para ayudar a proteger el medio ambiente, póngase en contacto con las autoridades locales para obtener información sobre la eliminación o el reciclaje y sobre la búsqueda de un reciclador en su área antes de deshacerse de su generador de la naturaleza.

1.4.4 Control de seguridad

Después de completar cualquier servicio o reparación de este dispositivo, pida al técnico de servicio que realice controles de seguridad de rutina para determinar que el generador de su Nature está en condiciones de funcionamiento correctas.

1.4.5 Servicio de mantenimiento

Las instrucciones de servicio son para uso exclusivo de personal de servicio cualificado. Para reducir el riesgo de descarga eléctrica, no realice ningún servicio que no sea el contenido en las instrucciones de uso a menos que esté calificado para hacerlo.

1.4.6 Los instrumentos de Metal

Tenga mucho cuidado al trabajar con herramientas de metal en o alrededor del generador de la naturaleza. Existe un riesgo potencial de dejar caer una herramienta que chispas o baterías de cortocircuitos u otras partes eléctricas que podrían causar una explosión.

1.5 Seguridad de la batería

1.5.1 Conecte los terminales y puertos de forma segura y realice controles regulares.

1.5.2 Evitar que los terminales positivos y negativos de la batería se toquen entre sí o cualquier objeto de metal para evitar la generación de calor o fugas de electrolitos.

1.5.3 No corte los terminales de la batería. Un cortocircuito puede provocar un incendio.

1.5.4 No exponga la batería a altas temperaturas o alrededor de fuentes de calor, como luz solar, fuego, transformadores, soldadoras, rectificadoras o calentadores.

1.5.5 No desmontar, modificar o dañar la batería para evitar fugas, sobrecalentamiento o incendio.

1.5.6 Nunca utilice baterías o componentes dañados. El uso inadecuado de baterías o componentes dañados puede dañar su dispositivo o lesionarse como resultado de fugas de líquido de la batería, incendio, sobrecalentamiento o explosión.

1.5.7 No ponga la batería boca abajo ni la incline.

1.5.8 Deseche las baterías usadas de forma segura y cuidadosa de acuerdo con las disposiciones de las leyes y regulaciones locales. Evite tratar las pilas como residuos domésticos normales, ya que su eliminación inadecuada puede provocar contaminación ambiental.

1.5.9 Si encuentra una batería con fugas o dañada, póngase en contacto con una empresa de reciclaje de baterías autorizada para obtener asistencia experta.

1.5.10 Evite el contacto con líquido o gas derramado si la batería pierde productos químicos u olores. No se acerque a la batería y póngase en contacto con un profesional para su eliminación.

1.5.11 Si inhala vapor del electrolito de la batería, tome aire fresco inmediatamente y busque atención médica.

1.5.12 Si tiene contacto visual con el electrolito de la batería, lávese los ojos con agua durante al menos 15 minutos y busque atención médica.

1.5.13 Si tiene contacto con la piel con el electrolito de la batería, lave el área infectada con agua y jabón durante al menos 15 minutos y busque atención médica.

1.5.14 Si ingiere electrolito de la batería, busque atención médica inmediatamente.

1.5.15 Generador Elite de la naturaleza no será responsable de los daños del equipo, lesiones personales, pérdida de la propiedad u otros daños causados por las siguientes razones:

- Falta de carga de la batería después de la instalación que conduce a un exceso de descarga de la batería.
- Mantenimiento inadecuado. Expansión inadecuada de la capacidad, o períodos prolongados de carga incompleta y frecuentes sobre-descarga de la batería.
- No cargar la batería como se requiere durante el almacenamiento, lo que resulta en la pérdida de capacidad o daños irreparables.
- Funcionamiento incorrecto o errores de conexión que causan cortocircuitos de la batería, daños, caídas o fugas.
- Daños en las baterías causados por condiciones de funcionamiento o parámetros de potencia externos que no cumplen con los requisitos ambientales.
- Usuarios o terceros que utilicen la batería de formas no especificadas en el manual de usuario.

1.6 Instrucciones de mantenimiento

1.6.1 Desconecte todos los cables y apague el equipo y espere al menos 10 minutos después de que el equipo esté completamente apagado.

1.6.2 Use equipo de protección personal (EPP) durante el mantenimiento para evitar daños o descargas eléctricas.

1.6.3 Use las herramientas correctamente para evitar lesiones o daños al equipo.

1.6.4 No toque el equipo energizado.

1.6.5 No limpie los componentes eléctricos dentro y fuera del armario con agua.

1.6.6 No se pare, no se apoye ni se siente encima del equipo.

1.6.7 Tenga cuidado con las altas temperaturas.

1.6.8 No desmonte ni dañe la batería. El electrolito liberado es perjudicial para la piel y los ojos. Evite el contacto con electrolitos.

1.6.9 Evite objetos metálicos como anillos o herramientas de metal para tocar la batería.

1.7 Instrucciones de almacenamiento

1.7.1 Cuando no se utiliza la élite generador de la naturaleza durante largos períodos de tiempo, apague la energía y elimine todas las conexiones eléctricas.

1.7.2 Cargue el sistema al 40%-60% de SoC antes del almacenamiento.

1.7.3 Con el fin de mantener la batería en buen estado, cargue completamente y descargue el sistema cada 6 meses.

1.7.4 Asegúrese de que el lugar donde almacenar el sistema esté bien ventilado y espacioso.

1.7.5 No almacenar el sistema en ambientes inflamables o explosivos.

1.7.6 Mantenga el sistema fuera del alcance de los niños y las mascotas.

1.7.7 Evite exponer el equipo a la lluvia, humedad o luz solar directa.

1.7.8 Almacenar el producto en las condiciones descritas en este manual.

1.8 Instrucciones relativas al riesgo de incendio, descarga eléctrica, o lesiones a las personas

Instrucciones de seguridad importantes

1.8.1 Advertencia - al usar este producto, siempre se deben seguir las precauciones básicas, incluyendo las siguientes:

- a. Lea todas las instrucciones antes de usar el producto.
- b. Para reducir el riesgo de lesiones, es necesaria una estrecha supervisión cuando el producto se utiliza cerca de niños.
- c. No ponga los dedos o las manos en el producto.
- d. El uso de un accesorio no recomendado o vendido por el fabricante de la fuente de alimentación puede dar lugar a un riesgo de incendio, descarga eléctrica, o lesiones a las personas.
- e. Para reducir el riesgo de daños en el enchufe eléctrico y el cable, tire del enchufe en lugar del cable al desconectar la fuente de alimentación.
- f. No use una batería o aparato que esté dañado o modificado. Las baterías dañadas o modificadas pueden exhibir un comportamiento impredecible que resulta en fuego, explosión o riesgo de lesión.
- g. No opere la fuente de alimentación con un cable o enchufe dañado, o un cable de salida dañado.
- h. No desmonte la fuente de alimentación, llévela a una persona de servicio cualificado cuando se requiera servicio o reparación. El montaje incorrecto puede resultar en un riesgo de incendio o descarga eléctrica.
- i. Para reducir el riesgo de descarga eléctrica, desenchufe la fuente de alimentación de la toma antes de intentar cualquier servicio de mantenimiento.
- j. Al cargar la batería interna, trabajar en una zona bien ventilada y no restringir la ventilación de ninguna manera.
- k. No exponga una fuente de alimentación al fuego o a una temperatura excesiva. La exposición al fuego o temperatura por encima de 130°C (265°F) puede causar una explosión.
- l. Tener un servicio de mantenimiento realizado por un reparador cualificado utilizando sólo piezas de repuesto idénticas. Esto garantizará que se mantenga la seguridad del producto.

Guardar estas instrucciones

1.9 Advertencia: instrucciones de puesta a tierra

1.9.1 Cuando los códigos locales lo requieran, este producto debe estar en tierra. Si funciona mal o se rompe, la puesta a tierra proporciona un camino de menor resistencia para la corriente eléctrica para reducir el riesgo de descarga eléctrica. Este producto está equipado con un cable que tiene un conductor de puesta a tierra del equipo y un conector de puesta a tierra. El enchufe debe estar conectado a una toma que esté debidamente instalada y conectada a tierra de acuerdo con todas las ordenanzas de códigos locales.

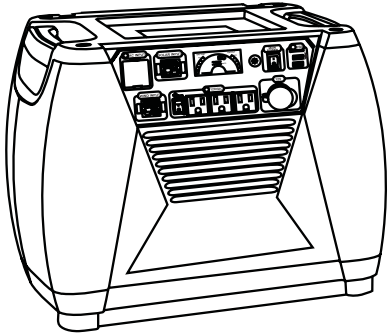
1.9.2 Advertencia - la conexión incorrecta del conductor de puesta a tierra del equipo puede resultar en un riesgo de descarga eléctrica. Compruebe con un electricista calificado si usted está en duda en cuanto a si el producto está conectado a tierra correctamente. No modifique el enchufe suministrado con el producto - si no va a encajar en la toma, tenga una toma adecuada instalada por un electricista calificado.

2.0 Introducción

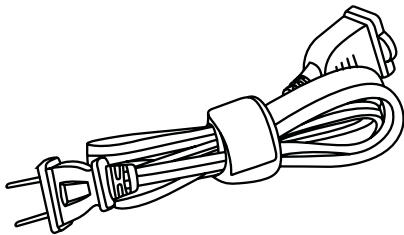
Felicitaciones por el generador de su nueva naturaleza, un generador de última generación que proporciona fiable Energía para emergencias, vida fuera de la red, o donde sea que se necesite energía.

2.1 Desempaquetel generador de tu naturaleza

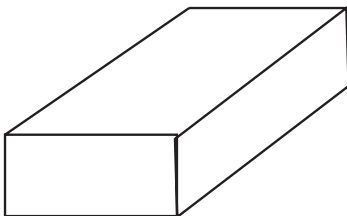
2.1.1 Nature's Generator Elite



2.1.2 Cable de alimentación de ca



2.1.3 Caja de la cesta

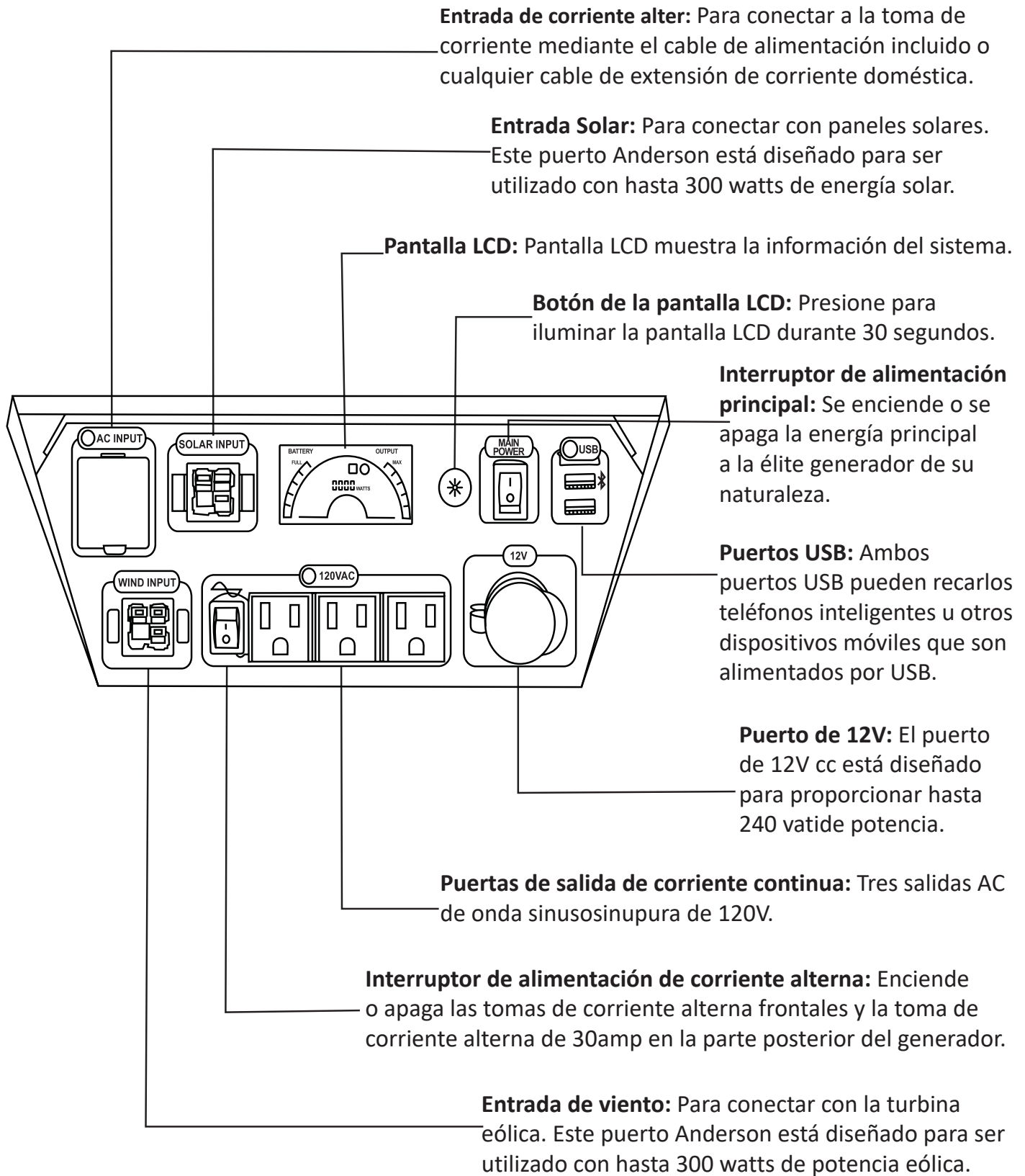


2.1.4 Esta guía del usuario

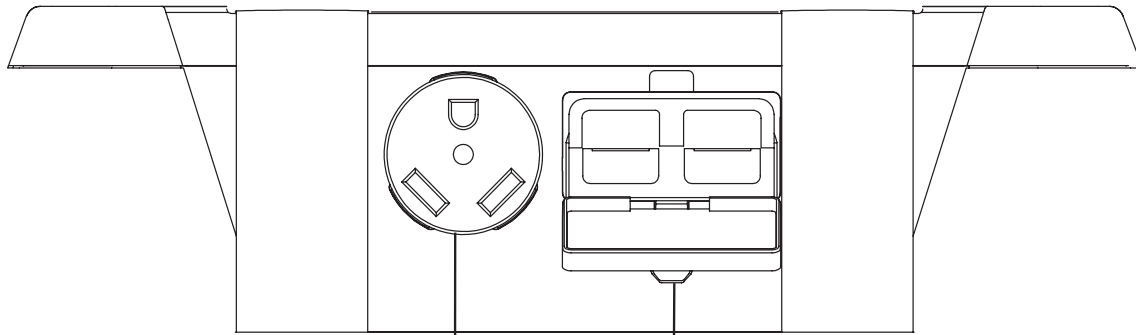


2.2 Llegar a conocer la élite generador de su naturaleza

2.2.1 Panel frontal



2.2.2 El Panel trasero



Puerto de ampliación: Daisy chaining fuses and Daisy chain connector (en inglés). Para su uso con Power Pod Elite generador de la naturaleza.

Toma de salida de 30amp AC: Una toma de corriente alterde de onda sinusoidal pura de 120V 30amp.

3.0 Utiliza Nature's Generator

3.1 Cómo recargue el generador de tu naturaleza

3.1.1 Recarga de paneles solares

- a. Coloque su panel solar donde recibirá tanta luz solar directa como sea posible. Mientras que la luz solar directa en siempre prefiere, los paneles solares deben estar conectados en todo momento para proporcionar una carga de goteo consistente a su batería. Los paneles solares también enviará una carga a su unidad, mientras que en los cielos brumoso o nubl.
- b. Inserte el enchufe del panel solar en el puerto de entrada solar en la parte delantera del generador de su naturaleza. Usted sabrá que se está recargando cuando la pantalla LCD se enciende, el icono del panel solar se ilumina y la barra de batería comienza a registrarse. La barra de batería dejará de registrarse cuando la batería de la pantalla LCD está llena o no hay suficiente energía del panel solar.
- c. Se tarda alrededor de 10 a 15 horas para recargar el generador de la naturaleza si se utiliza un panel solar de 100 vati, y también depende de la fuerza de la luz solar.
- d. Para aumentar la velocidad de recarga, puede conectar varios paneles solares en paralelo. El puerto de entrada Solar puede manejar hasta 200 vatide energía Solar. Visite Naturesgenerator.com para obtener información sobre la compra de paneles solares adicionales.

3.1.2 Recarga desde la turbina eólica

- a. Coloque su turbina de viento donde obtendrá la mayor cantidad de viento posible.
- b. Inserte el enchufe de la turbina eólica en el puerto de entrada de viento en la parte delantera del generador de su naturaleza. Usted sabrá que se está recargando cuando la pantalla LCD se enciende, el icono de la turbina de viento se ilumina y la barra de la batería comienza a registrarse. La barra de batería dejará de registrarse cuando la batería de la pantalla LCD está llena o no hay suficiente energía de la turbina eólica.
- c. La velocidad de recarga depende de la potencia de la turbina eólica y la fuerza del viento. El puerto de entrada de viento puede manejar hasta 300 vatide energía eólica. Visite Naturesgenerator.com para más información sobre el aerogenerador.

3.1.3 Recarga de corriente alter.

- a. Localice el cable de alimentación en el compartimento de almacenamiento trasero en la parte posterior del generador de la naturaleza.
- b. Inserte el cable de alimentación al puerto de entrada de ca en la parte delantera del generador de Nature.
- c. Conecte el otro extremo del cable de alimentación a la toma de corriente. Usted sabrá que se está recargando cuando la pantalla LCD se enciende, el icono de entrada de ca se ilumina en la pantalla LCD y la barra de batería comienza a registrarse. La barra de batería deja de registrarse cuando la batería está llena.

3.2 Cómo utilizar el generador de tu naturaleza

3.2.1 Pulse el interruptor de alimentación principal para encender el generador de su naturaleza. Los puertos USB estarán conectados automáticamente cuando el interruptor de alimentación principal está encendido.

3.2.2 Presione el interruptor de toma de corriente alterna para encender las tomas de corriente alterna. Cuando no utilice las tomas de corriente alterna, asegúrese de apagar el interruptor de corriente alterna para ahorrar energía.

3.2.3 Usted sabrá que el puerto se enciende cuando el icono se ilumina en la pantalla LCD.

3.2.4 Conecte cualquiera de sus dispositivos para alimentación.

3.2.5 Modo de fuente de alimentación ininterrumpida (UPS)

- a. Usted puede recargar el generador de su naturaleza y recargar sus dispositivos al mismo tiempo
- b. Si usted recarga el generador de su naturaleza al mismo tiempo que alimenta sus dispositivos de ca Desde los puertos de salida de ca, el generador de su naturaleza se convierte en una fuente de alimentación ininterrumpida. su Los dispositivos de ca recibirán alimentación directamente desde la toma de ca. Si el poder se apaga, su naturaleza El generador ya estará funcionando y listo para suministrar energía a sus dispositivos de ca conectados.
- c. La pantalla LCD muestra UPS cuando está en modo UPS.

3.3 Cómo leer la pantalla LCD

Barra de la batería: Barra de batería indica carga en 5 incrementos. Una vez que el elite generador de su naturaleza esté completamente recargado, todos los incrementos de batería permanecerán sólidos.

Ícône des éoliennes: Indica que el elite generador de su naturaleza está siendo recargado por la turbina eólica.

Ícône de sortie AC: Indica cuando el interruptor de salida de ca está encendido.

Ícône USB: Indica cuando la elite generador de su naturaleza es Se enciende y el puerto USB está en uso.

12V DC icône: Indica cuando su La elite generadora de la naturaleza está encendida Y el puerto 12V DC está en uso.

Barre de sortie: 5 barra de salida de incremento indica el uso de la energía. Los incrementos se ejecude de abajo a arriba, lo que indica la luz, la luz media, la media, la media pesada y el uso de energía pesada.

Batterie basse icône: Indica cuando la tensión de la batería es baja.

Ícône d'avertissement de température: Indica cuando la temperatura interna es demasiado alta.

Ca!!! icône: Se ilumina cuando se protege el inversor de ca y deja de funcionar.

Ícône fusible: Indica cuando se sopla el fusible.

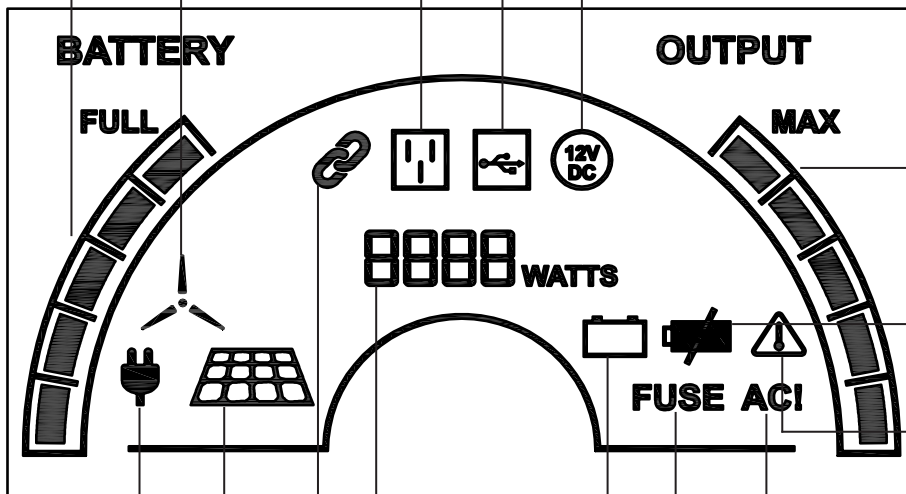
Ícône de panne de batterie: Indica cuando la batería necesita ser reemplazada.

Affichage de puissance: Indica cuánta energía se está utilizando. Si está en modo de fuente de alimentación ininterrumpida, la pantalla LCD mostrará UPS.

Extension (maillon de chaîne) icône: Indica cuando la elite generador de su naturaleza Es Daisy encadenada a la elite de Pod de poder generador de la naturaleza por el Puerto de expansión. Visitez Naturesgenerator.com pour acheter le module d'alimentation du générateur nature'S.

Ícône de panneau solaire: Indica que la elite generador de su naturaleza se recarga por Panel (s) solar (es).

AC entrée icône: Indica que la elite generador de su naturaleza se recarga por la pared.



3.4 Cómo expandir la capacidad del generador de tu naturaleza

Puedes extender el tiempo de funcionamiento del élite generador de tu naturaleza conectándolo a la cápsula de poder del generador de la naturaleza. Visite naturesgenerator.com para comprar una cápsula de poder del generador de la naturaleza.

3.4.1 Abra la tapa superior de la cápsula de poder del élite generador de la naturaleza, localice el cable de expansión y corra El cable de expansión de la cápsula de poder del generador de la naturaleza a través de la abertura en la parte posterior del Nature's Generator Power Pod élite (en inglés).

3.4.2 Ubic el puerto de expansión en la parte posterior del generador de su naturaleza y abra la cubierta de goma.

3.4.3 Conecte el cable de expansión al puerto de expansión.

3.4.4 El icono de expansión (enlace de cadena) se iluminará en la pantalla LCD para indicar que está conectado.

Usted experimentará un mayor tiempo de funcionamiento del 100% mediante la adición de la élite de un generador de energía de la naturaleza, 200% mediante la adición de dos generadores de la naturaleza de poder Pod Elites y 300% mediante la adición de tres de la naturaleza Generator Power Pod Elites (en inglés).

3.5 Cómo mantener y almacenar el generador de su naturaleza

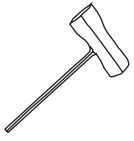
3.5.1 Por favor, recargar la élite generador de su naturaleza una vez cada cuatro meses y almacenar en un ventilado, Lugar fresco y seco. Si es posible, por favor, conecte la élite generador de su naturaleza a una fuente de energía, Al igual que la toma de corriente de la pared, panel solar o turbina eólica, mientras que en el almacenamiento de la parte superior de la tensión de la batería. Esto mantiene la batería sana y prolonga su vida. El fracaso para mantener la élite generador de la naturaleza por Estos pasos pueden resultar en daño de la batería que anulará la garantía del producto.

3.5.2 Por favor, limpie la élite generador de su naturaleza con un paño suave, pelo-libre. Si el generador de tu naturaleza Elite es especialmente sucio, humeun un paño suave, sin pelusa en una solución detergente débil, apriete el Exceso de humedad del paño, luego limpie el armario con el paño. Use un paño limpio para secarse Nature's Generator Elite (en inglés).

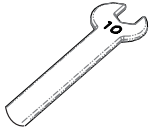
3.6 Cómo instalar el carro en el generador de tu naturaleza

3.6.1 Qué están incluidos:

Los instrumentos



Fabricación en la cual × 2pcs



10mm llave inglesa × 1pc

Piezas para el carro



Espaciador × 2pcs



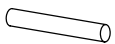
Perno y tuerca M6 de 30mm × 2pcs



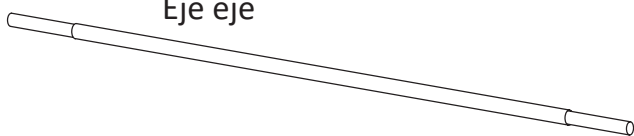
M6 100mm de perno × 2pcs



Bloqueo × 2pcs



Buje de los ejes × 2pcs



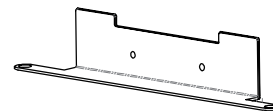
Eje eje



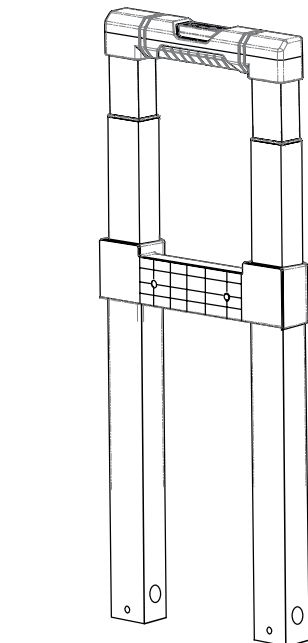
La rueda × 2pcs



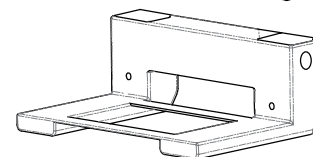
TAP × 2pcs



Grupo
electróelectróelectró

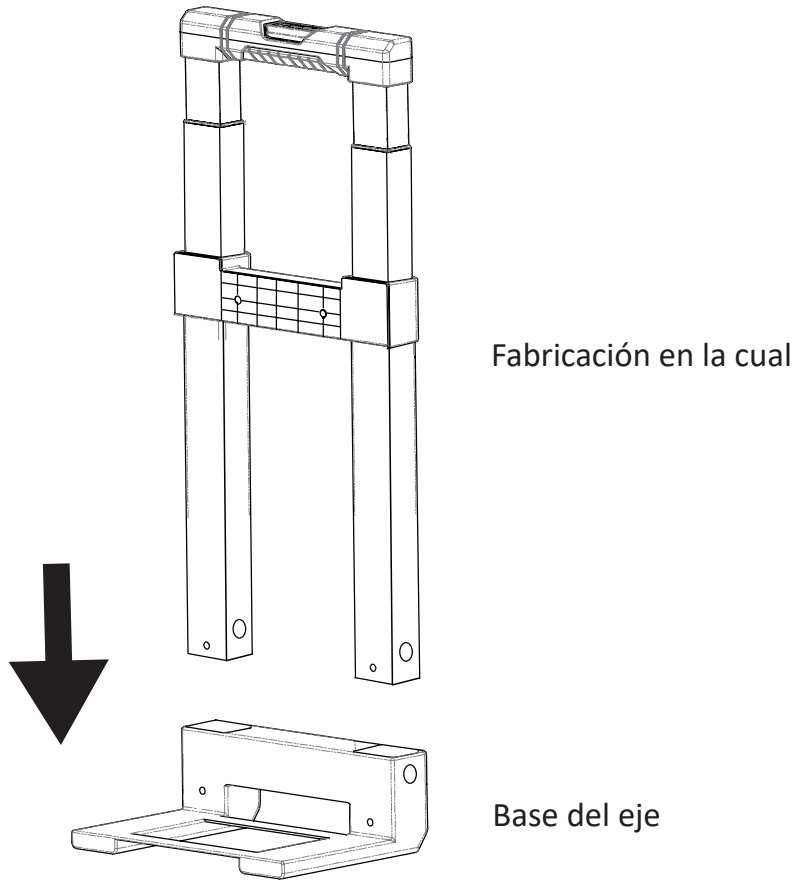


Fabricación en la cual

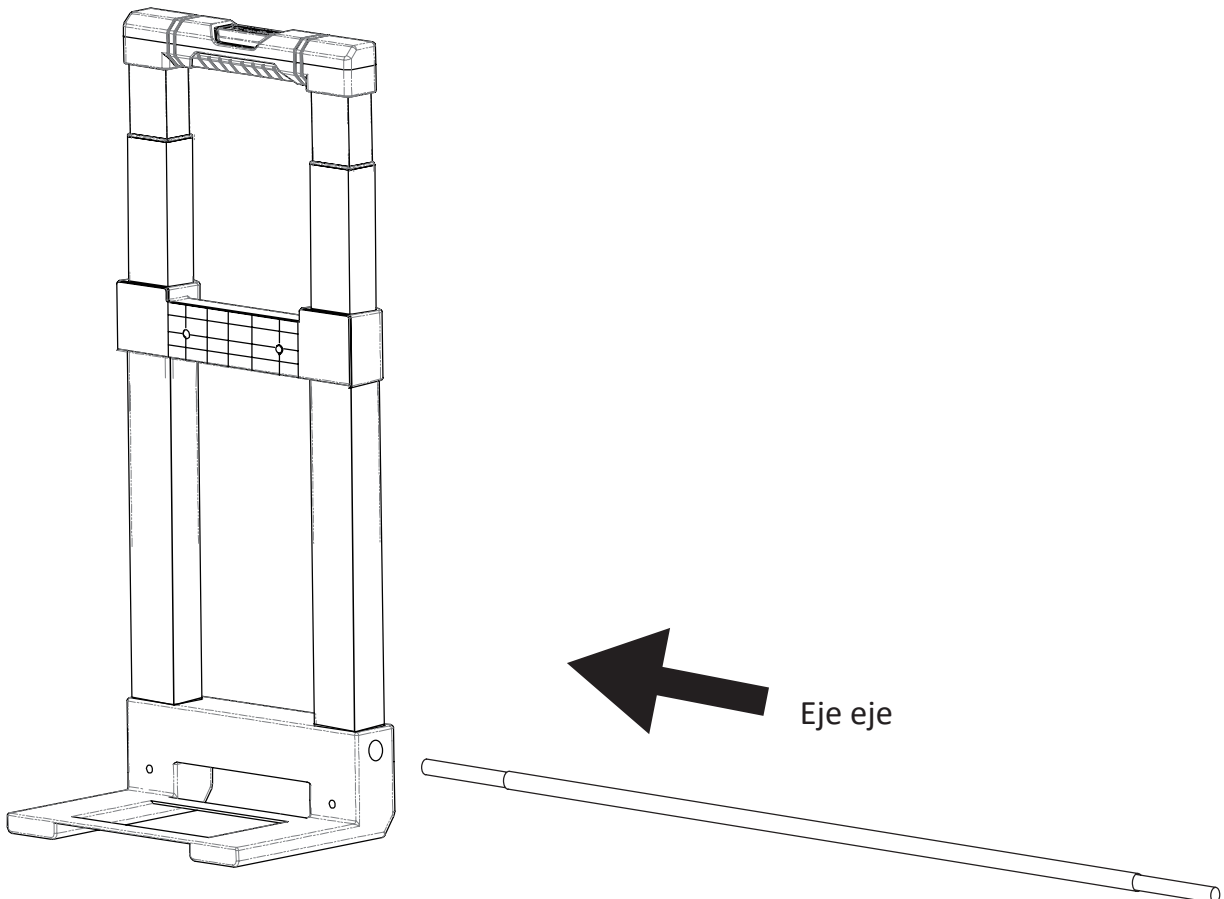


Base del eje

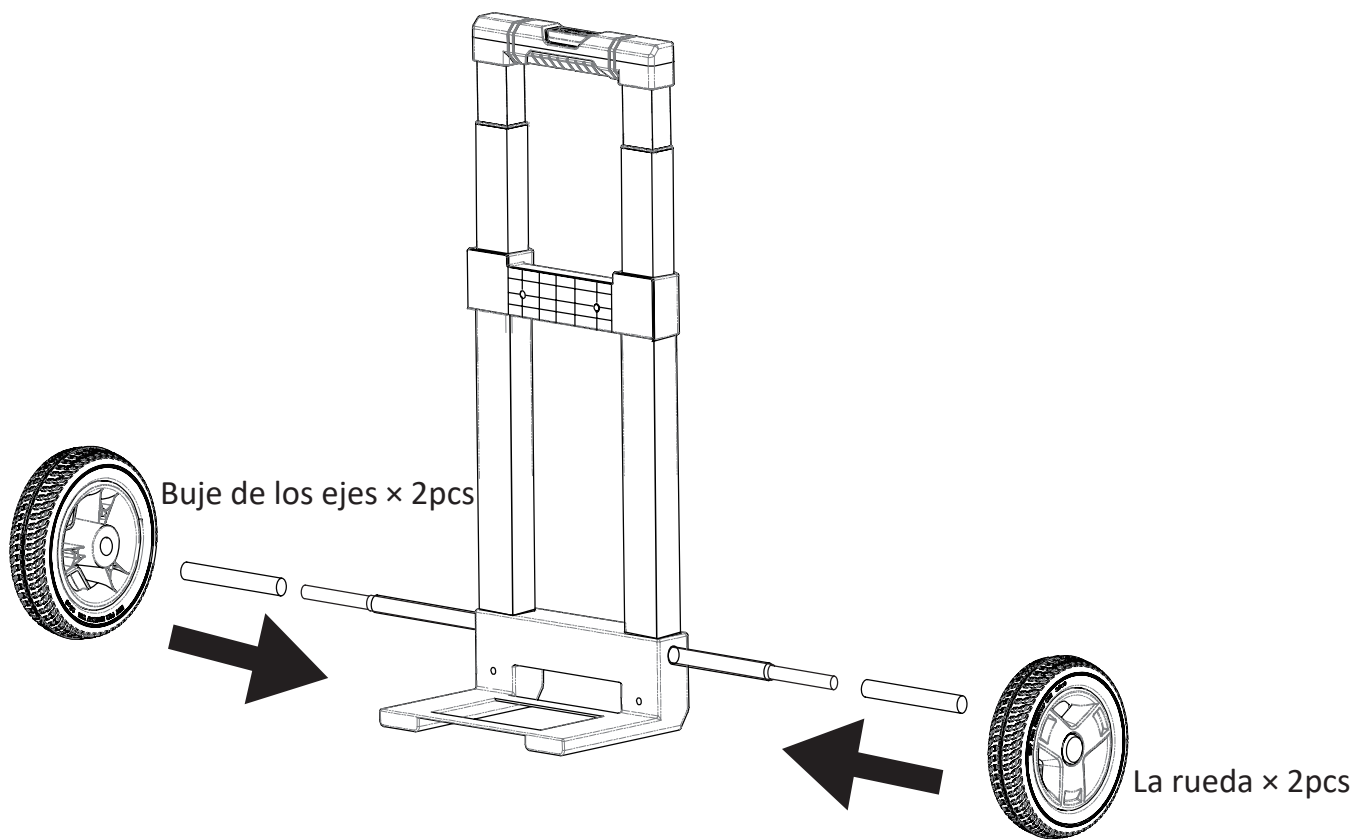
3.6.2 Paso 1:



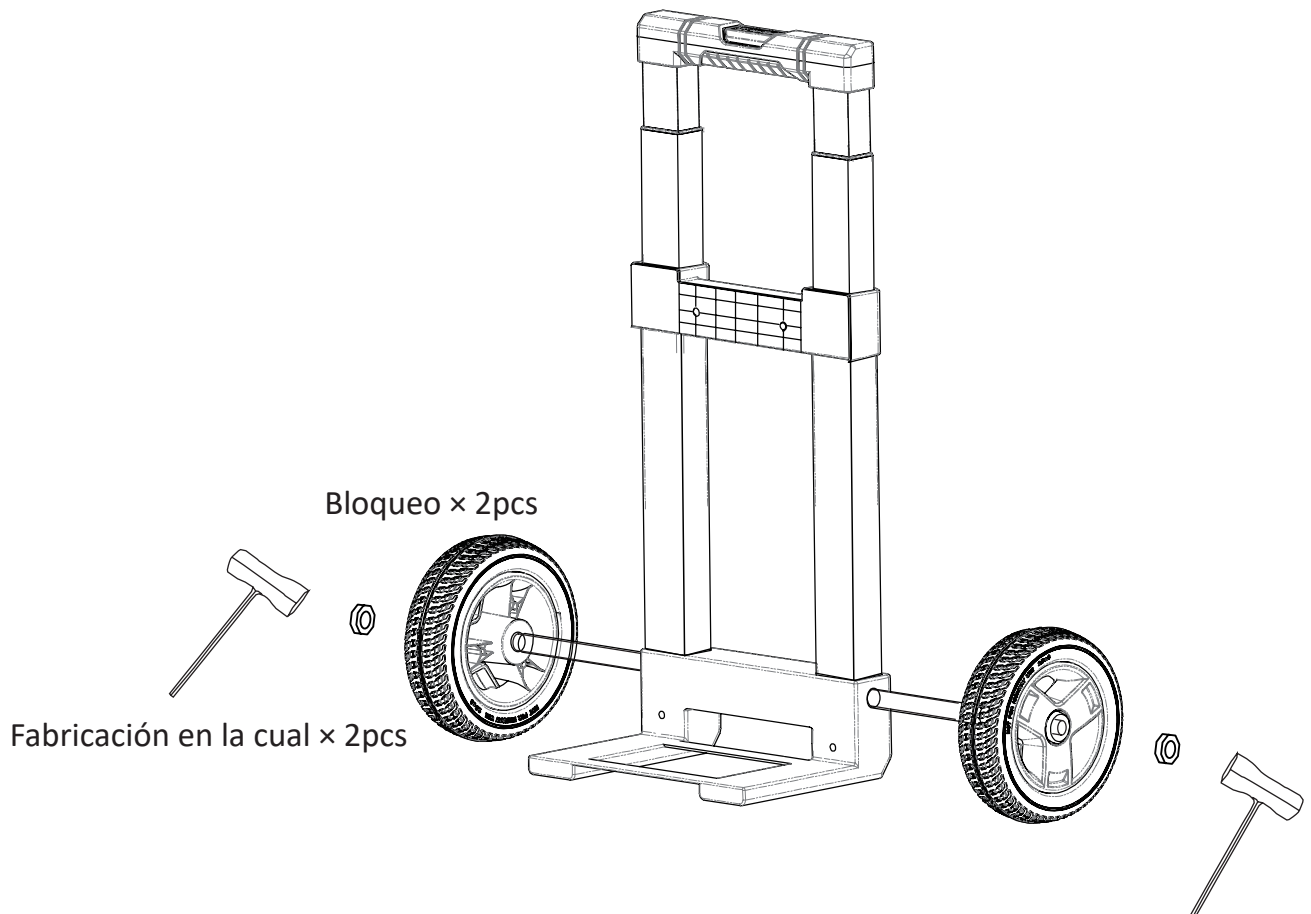
3.6.3 Paso 2:



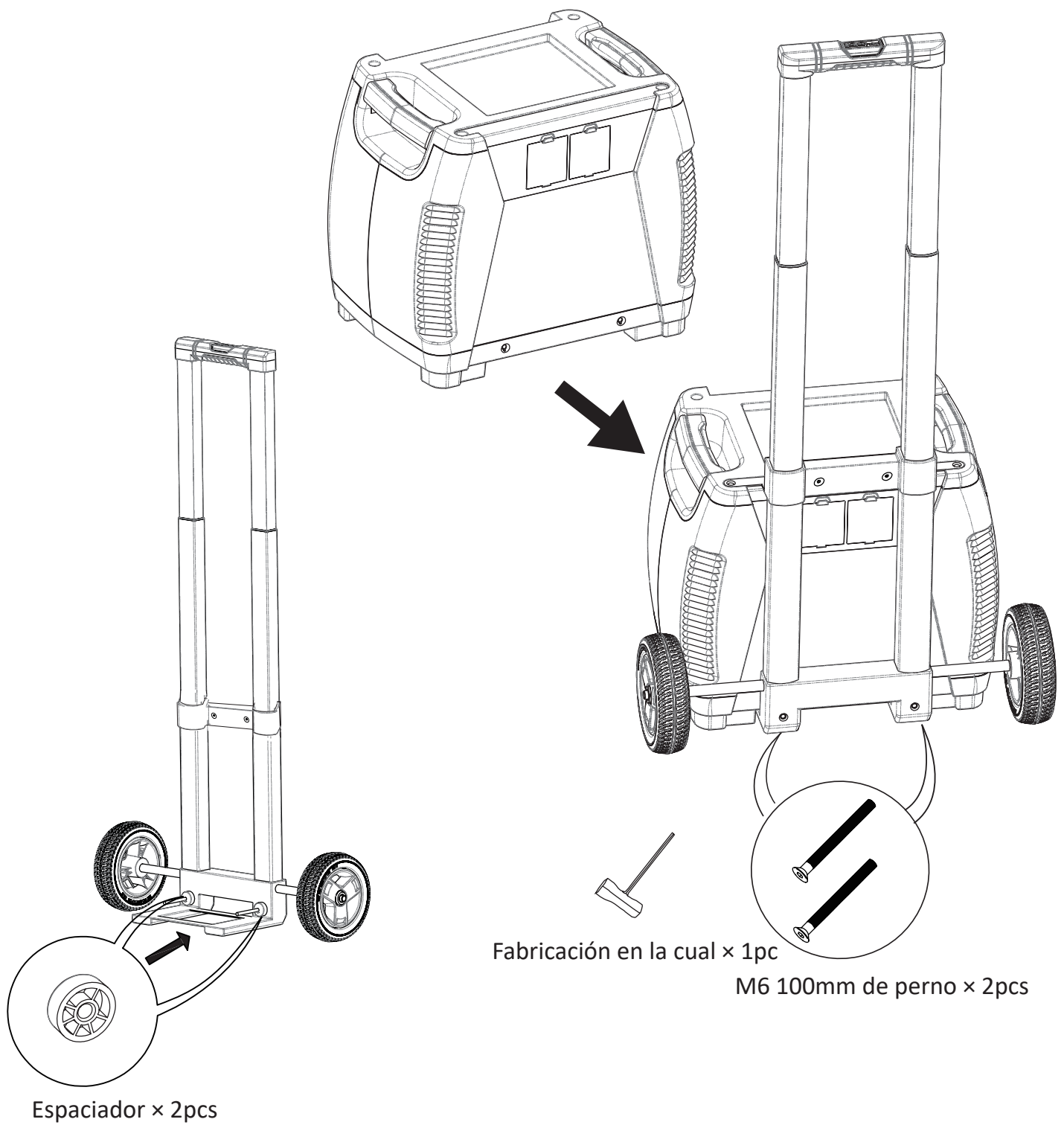
3.6.4 Paso 3:



3.6.5 Paso 4:

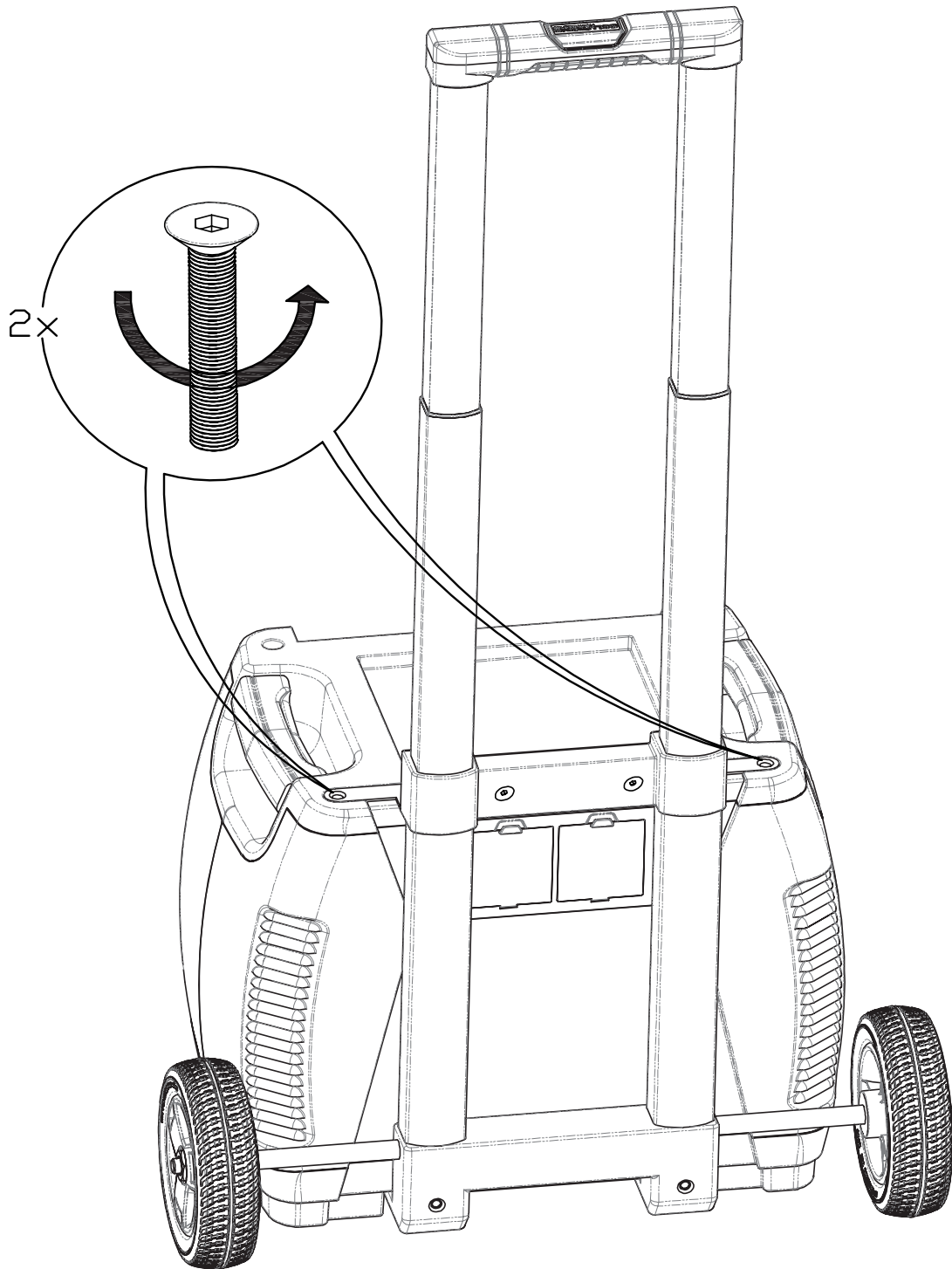


3.6.6 Paso 5:



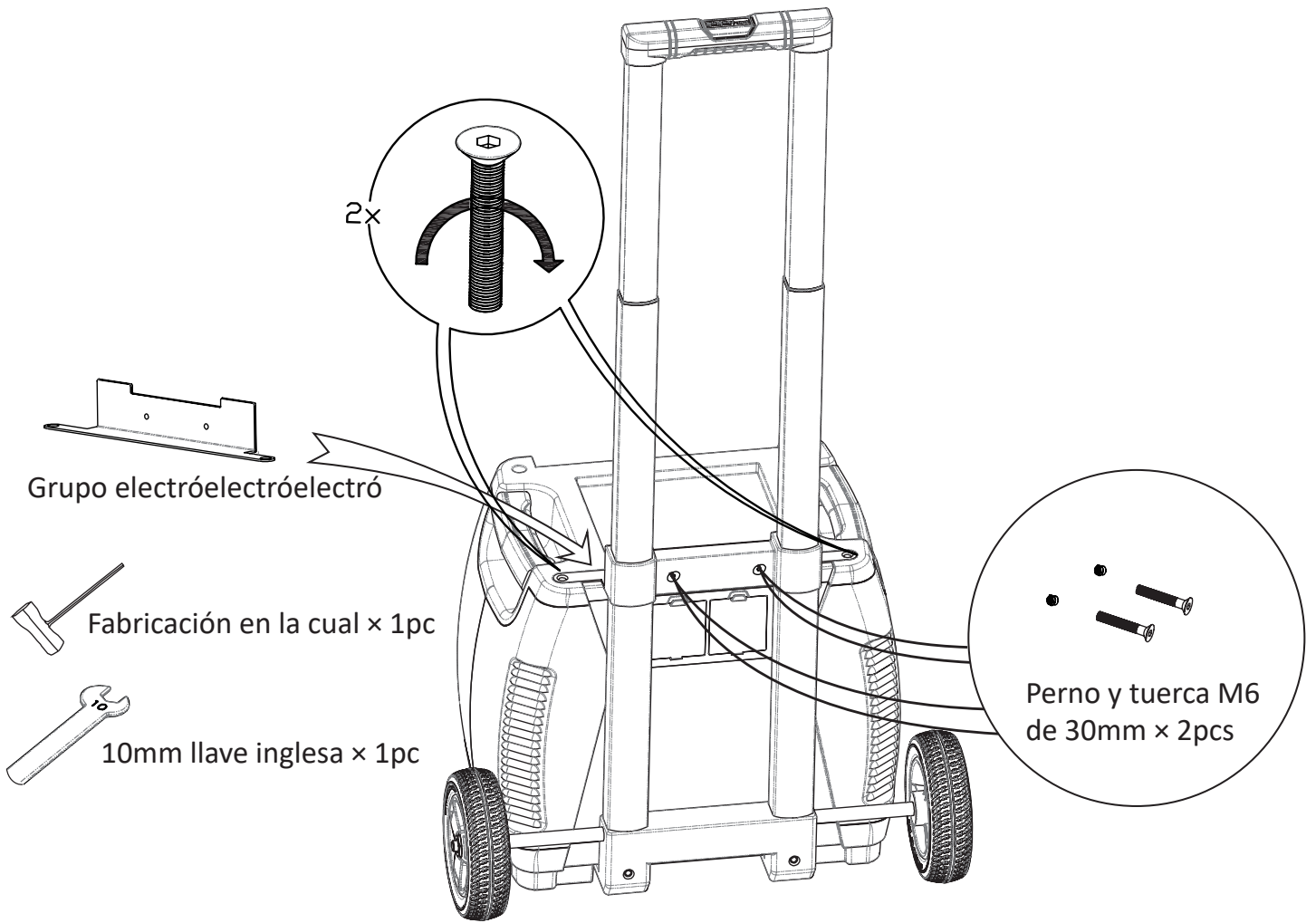
3.6.7 Paso 6:

Por favor, retire los dos pernos existentes del generador de la naturaleza y reservar para su reutilización en el paso 7.



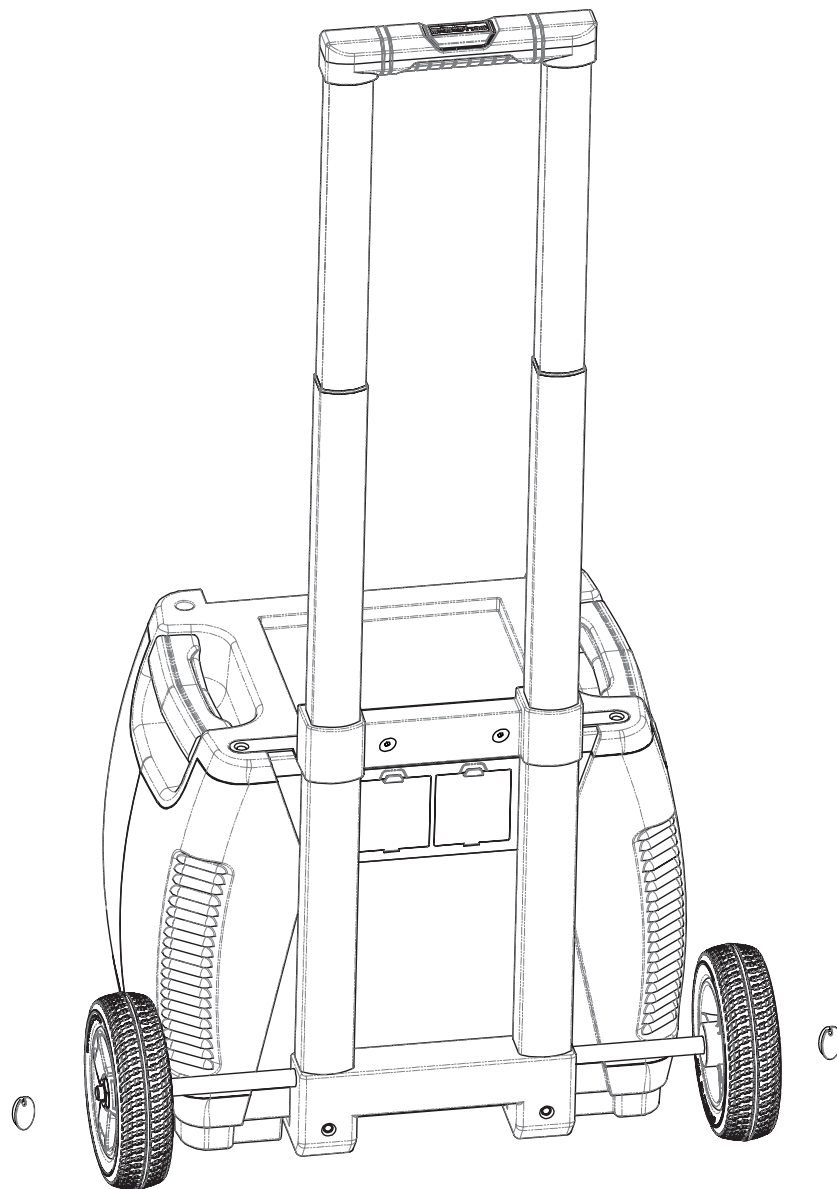
3.6.8 Paso 7:

Por favor vuelva a insertar los pernos una vez que el soporte del generador esté en su lugar.



3.6.9 Paso 8:

Por favor vuelva a insertar los pernos una vez que el soporte del generador esté en su lugar.



TAP × 2pcs

4.0 Solución de problemas

4.1 El generador de mi naturaleza no se carga cuando conecto mi panel solar a él.

Por favor siga estos pasos:

4.1.1 Asegúrese de que el panel solar esté apuntando directamente hacia el sol. Se prefiere colocar el panel solar hacia el sur. El panel solar puede producir poca o ninguna energía si se coloca en la sombra.

4.1.2 Compruebe la conexión de cable en el generador de su naturaleza y asegúrese de que está correctamente conectado.

4.1.3 La pantalla LCD se ilumina, pero la barra de batería no está funcionando. Esto significa que el generador de la naturaleza ha sido completamente recargado por el panel solar o el panel solar no tiene suficiente voltaje para recargar el generador de la naturaleza.

4.2 Mi (s) dispositivo (s) de ca no se están encendiendo desde el generador de mi naturaleza.

Por favor siga estos pasos:

4.2.1 verifique que su dispositivo es adecuado para su uso con el generador de su naturaleza. El generador de la naturaleza AC Las salidas solo funcionan con 120V AC y hasta 1800 watts en tres salidas combinadas.

4.2.2 asegúrese de que el interruptor de alimentación principal está encendido.

4.2.3 compruebe la barra de batería. Si sólo hay tres bares o menos, recargar el generador de su naturaleza. Algunos dispositivos de ca consumen grandes cantidades de energía y se recomienda recargar su naturaleza Generador lleno antes de uso pesado.

4.2.4 asegúrese de que el interruptor de salida de ca está encendido. La luz LED debe ser verde.

4.2.5 si la luz LED es roja, compruebe los iconos de fallo en la pantalla LCD.

- a. Icono de fallo de la batería: reemplazar la batería.
- b. Icono de bajo nivel de batería: recarga la batería antes de usarla.
- c. Icono de advertencia de temperatura: la temperatura interna es demasiado alta. Por favor, deje enfriantes antes de tratar de utilizar de nuevo.
- d. Icono de fusible: reemplazar los fusibles.
- e. AC! Icono: el inversor de ca está protegido. Desenchufe su dispositivo de ca, apague el interruptor de salida de ca y vuelva a encender para volver a intentarlo.

4.3 La batería del generador de mi naturaleza se drena rápido.

Por favor siga estos pasos:

4.3.1 Compruebe el voltaje de su (s) dispositivo (s) de ca. Algunos dispositivos como el secador de pelo, el microondas o el vacío consumen grandes cantidades de energía y, por lo tanto, la batería se drena rápidamente. Por favor, controle siempre la información de potencia de salida en la pantalla LCD.

4.3.2 Cuando su dispositivo de ca no esté en uso, apague las tomas de ca del generador de su naturaleza para ahorrar energía. Las tomas de corriente alterna consumen una cantidad considerable de energía mientras están en modo standby.

4.3.3 Cuando el generador de la naturaleza no esté en uso, apague el interruptor de alimentación principal y para eliminar el drenaje innecesario de la batería para apagar la pantalla LCD y los puertos USB.

5.0 Especificaciones técnicas

Batería de batería:

Tipo: AGM ácido de plomo sellado

Capacidad de acogida: 60Ah (720Wh)

Auto-descarga: se recomienda recargar cada 4 meses

Inversor:

Potencia de salida: 1800 vatimáx / 1440 continuo

Tensión de salida: 120V

Frecuencia de salida: 60Hz

Los puertos:

Puerto USB: 5V, hasta 3A (15W)

Puerto DC de 12V: hasta 20A (máximo de 240W)

Puerto de expansión: fusible 200A

Cargos:

Cargador de ca: 90W

Indicador del cargador de ca: rojo (carga) y verde (carga)

Cargsolar: 200 vati

Cargde viento: 300 vati

General:

Dimensiones: 18 x 12 x 15 pulgadas (46 x 30 x 38 cm) sin carro

23 x 17 x 22 pulgadas (58 x 43 x 56 cm) con carro

Temperatura de funcionamiento: 32-104 °F (0-40 °C)

Temperatura de almacenamiento: 23-111 °F (-5-45 °C)

Peso: 120 libras (54.4kg)

6.0 Notificación

Los productos, servicios y características del generador de la naturaleza se subeligen a los términos y condiciones acordados durante la compra. Tenga en cuenta que algunos productos, servicios o características descritas en este manual pueden no estar disponibles en su contrato de compra. A menos que se especifique lo contrario en el contrato, Nature's Generator no hace representaciones o garantías de ningún tipo, expresas o implícitas, con respecto al contenido de este manual.

El contenido de este manual está sujeto a cambios sin previo aviso. Si tiene alguna pregunta o inquietud acerca de este manual, por favor póngase en contacto con el soporte de generadores de Nature para obtener más ayuda.

7.0 Garantía y devolu

7.1 Garantía limitada

Natures Generator Inc. le garantiza a usted, el comprador/propietario original del producto comprado y usado en los Estados Unidos, que todos los productos estarán libres de defectos en la fabricación original de los materiales o mano de obra desde la fecha original de entrega a través del "período de garantía" específico -- con el período de garantía específico de cada producto establecido aquí.

Nature's Generator garantiza el producto (s) comprado directamente en línea del generador de Nature o del distribuidor/revenautorizado de un generador de Nature (en su embalaje original y con su declaración de garantía en el interior) contra defectos en los materiales y mano de obra cuando se utiliza de acuerdo con el Manual de usuario del generador de Nature del producto, las especificaciones técnicas, Otras guías de productos publicadas durante el período de garantía del producto específico se indica a continuación a partir de la fecha de entrega al comprador/propietario original.

Los recursos exclusivos disponibles bajo esta garantía limitada son la reparación o reemplazo del producto que sólo puede ser realizado por el generador de Nature o un distribuidor aprobado. Para recibir el servicio de garantía, el comprador/propietario debe ponerse en contacto con el servicio de atención al cliente generador de la naturaleza para la determinación de problemas y para asegurarse de que el propietario entiende todos los pasos del procedimiento de servicio.

7.2 Cobertura de garantía limitada para productos específicos:

7.2.1 para los generadores portátiles de todos los generadores de la naturaleza o los generadores eléctricos de toda la casa o paneles solares o turbinas eólicas o accesorios: período de cobertura de garantía para: Doce (12) meses: embarque, partes y mano de obra.

7.2.2 para el sistema MyGrid 10K integral del generador de Nature: el período de cobertura de la garantía es de treinta y seis (36) meses con:

1-12 meses: envío, piezas y mano de obra

13-36 meses: sólo partes.

7.2.3 para los interruptores de transferencia del generador de Nature: cobertura de garantía por sesenta (60) meses con:

1-12 meses: envío, piezas y mano de obra.

13-24 meses: partes y trabajo

25-36 meses: sólo partes

Meses 37 — 60: componentes principales *

(*i.e. Contactores, módulos de control.)

7.3 Normas de garantía:

7.3.1 la garantía comienza en el momento de la entrega del producto al comprador/propietario.

7.3.2 unidad debe estar registrada y tener prueba de compra disponible.

7.3.3 cualquier y todas las reparaciones de garantía aplicables y /o preocupaciones deben ser realizadas y /o dirigidas por el generador de Nature.

7.3.4 el generador de Nature, a su sola discreción, reparará o reemplazará cualquier pieza (s) que, tras la evaluación, inspección y prueba por el generador de Nature, se encuentre defectuosa.

7.3.5 cualquier equipo que el comprador/propietario afirme estar defectuoso debe ser evaluado por el generador de la naturaleza.

7.3.6 los daños a cualquier componente cubierto causados por el uso de una pieza o piezas incompatibles después de la fabricación no estarán cubiertos por esta garantía.

7.3.7 cualquier daño causado por el propietario después de la recepción del producto es responsabilidad del propietario y no está cubierto por esta garantía.

7.3.8 la prueba de funcionamiento de todo el mantenimiento requerido debe estar disponible.

7.3.9 el envío desde y hacia el generador de Nature para el servicio sólo estará cubierto por 12 meses y para un producto con un defecto del fabricante que requiera reparación o reemplazo. Si, después de la inspección, se encuentra que no hay un defecto del fabricante -- sino que un problema fue causado por error del propietario o negligencia de mantenimiento o mal uso -- el envío, las partes y el trabajo de reparación serán pagados por el propietario.

7.4 ¿Qué cubre esta garantía?

Esta garantía limitada está condicionada al uso adecuado del producto.

Durante el período de garantía, si un distribuidor autorizado o un generador de naturalezas determina que la fabricación original de los materiales o la mano de obra del producto es defectuosa, entonces el generador de naturalezas, a su sola discreción: (1) reparará el producto con partes nuevas o reconstruidas; O (2) reemplazar el producto sin costo alguno con productos o partes nuevos o reconstruidos. Los productos y piezas reemplazadas bajo esta garantía se convierten en propiedad de Natures Generator Inc. y no son devueltos. Si se requiere el servicio de los productos o piezas después de que expire el período de garantía, el propietario del producto debe pagar todos los gastos de envío, piezas y mano de obra. Esta garantía dura mientras el comprador original posea el producto durante el período de garantía. La cobertura de la garantía termina si el propietario original vende o transfiere el producto. En la medida en que lo permita la ley aplicable, el período de garantía no será extendido o renovado o afectado de otra manera debido a un posterior cambio, reparación o reemplazo del producto. El producto o las piezas reparadas o reemplazadas durante el período de garantía estarán garantizados por el resto del período de garantía original a partir de la fecha de reparación o reemplazo.

7.5 Esta garantía no cubre:

7.5.1 costes de mantenimiento normal.

7.5.2 desgaste Normal incluyendo, sin limitaciones, el desgaste de las baterías que son consumibles.

7.5.3 daños al producto causados por accidentes, manipulación o almacenamiento incorrecto.

7.5.4 daños/fallos causados por la operación con cargas o instalaciones distintas de las recomendadas o especificadas por el generador de la naturaleza.

7.5.5 la modificación/mala aplicación no autorizada no estará garantizada a menos que sea autorizada por el generador de la naturaleza por escrito.

7.5.6 daños a cualquier componente cubierto o daños consecuentes causados por el uso de una (s) parte (s) no compatible (s) o el incumplimiento de las instrucciones del producto.

7.5.7 fallos debidos al desgaste normal, manejo rudo, accidente, mal uso, abuso, negligencia, instalación incorrecta, dimensionamiento incorrecto, así como fuego, agua, rayos u otros actos de la naturaleza.

7.5.8 daños relacionados con la infestación de roedores, reptiles y /o insectos.

7.5.9 diagnósticos o reparaciones realizadas por personas distintas del generador de la naturaleza o no autorizadas por escrito por el generador de la naturaleza.

7.5.10 daños que se produzcan debido a que el producto no se instaló correctamente y /o se instaló en un lugar que no está protegido de la intemperie si así lo indica el manual de usuario del producto.

7.5.11 fallos causados por cualquier fuerza mayor (acto de Dios) o causa externa incluyendo, y sin limitación, fuego, robo, congelación, guerra, relámpago, terremoto, tormenta de viento, granizo, agua, tornado, huracán, o cualquier otro asunto que esté razonablemente más allá del control del fabricante.

7.5.12 gastos de envío asociados con envío expedito.

7.5.13 cualquier daño accidental, consecuente o indirecto causado por defectos en los materiales o la mano de obra, o cualquier retraso en la reparación o sustitución de las piezas defectuosas.

7.5.14 no embalar adecuadamente el producto para su transporte.

7.5.15 causas extremas o externas más allá del control razonable del fabricante incluyendo pero no limitado a fallas o fluctuaciones de sobretensión en la energía eléctrica o fallas en las redes inalámbricas o interferencia electromagnética ambiental o llamaradas solares dañinas.

7.5.16 conexión a una fuente de alimentación inadecuada o cable defectuoso del hogar.

7.5.17 cualquier producto con un período de garantía que haya expirado.

7.6 Tenga en cuenta que la garantía limitada no cubre lo siguiente:

- daños cosméticos
- daños por fuerza mayor, como caída de rayos, incendio, inundación, etc.
- accidente
- mala utilización
- abuso

- negligencia
- modificación de cualquier parte del producto
- daños por mal funcionamiento o mantenimiento
- conexión a una fuente de tensión incorrecta o cable eléctrico defectu.
- productos de renovación
- consumibles, como baterías
- productos donde el número de serie aplicado de fábrica ha sido alterado o eliminado. Para estos casos, el costo de la mano de obra de reparación, más el costo de la (s) pieza (s) a reemplazar, y el envío será cargado al cliente.

La reparación o sustitución según lo dispuesto en esta garantía es el único remedio del comprador/ propietario. NATURES GENERATOR INC no será responsable por ningún daño INCIDENTAL o consecuente por el incumplimiento de cualquier garantía expresa o implícita sobre este producto, incluyendo, pero no limitado a: Pérdida o corrupción de datos, pérdida de uso de productos o funcionalidad, pérdida de negocio, pérdida de contratos, pérdida de beneficios, pérdida de ingresos, pérdida de ahorros previstos, aumento de costos o gastos por cualquier pérdida o daño indirecto o cualquier pérdida consecuente o daño o cualquier pérdida o daño especial con respecto al producto. Todas las garantías expresas e implícitas para el producto incluyendo, pero no limitado a, cualquier garantía implícita están limitadas en duración a los períodos y términos específicos de garantía del producto establecidos en este documento. Ninguna garantía, ya sea expresa o implícita, se aplicará después de que finalice el período de garantía. Esta garantía reemplaza cualquier otra garantía expresa o implícita. Específicamente, generador de la naturaleza NO hace ninguna otra garantía en cuanto a la comerciabilidad y aptitud para un propósito PARTICULAR. El único y exclusivo recurso del comprador y la única responsabilidad del generador de naturalezas será la reparación o reemplazo de la (S) parte (S) como se establece en este documento. En ningún caso el generador de la naturaleza será responsable por cualquier daño INCIDENTAL o consecuente, incluso si tales daños son un resultado directo de la negligencia generador de la naturaleza. Algunas jurisdicciones no permiten la exclusión o limitación de daños incidentales o consecuentes, por lo que la limitación anterior puede no aplicarse a usted. Esta garantía le otorga derechos legales específicos. Usted también puede tener otros derechos bajo la ley aplicable. Excepto según lo dispuesto en esta garantía, generador de la naturaleza además niega cualquier responsabilidad por pérdidas, gastos, inconvenientes, o especiales, indirectos, secundarios, o daños consecuenciales derivados de la propiedad y el uso de los productos. Si cualquier término de garantía se considera ilegal o inaplicable por ley, será excluido de la garantía con la legalidad de los términos restantes no afectados.

Nota: todas las reclamaciones realizadas en virtud de esta garantía limitada se registrarán por los términos establecidos en este documento de garantía y esta garantía limitada sustituye todas las declaraciones de garantía del generador de la naturaleza anterior u otros materiales de MARKETING.

7.7 ¿Cómo obtener el servicio de garantía?

Por favor llame al 1-800-975-7909 de lunes a viernes, 9:00AM a 5:00PM PST. Se le proporcionará un número de autorización de **devolución de mercancía (RMA)** e instrucciones de devolución. Por favor incluya el número RMA en un lugar destacado en la caja de envío e incluya su nombre, número de teléfono y dirección con el producto dentro de la caja. Enviar producto a:

NATURES GENERATOR INC.
3233 Mission Oaks Blvd
Suite
Camarillo, CA 93012

Contact Natures Generator Inc:
Para servicio al cliente por favor llame al 1-800-975-7909

